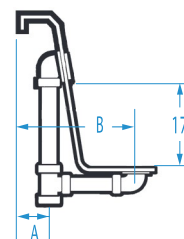
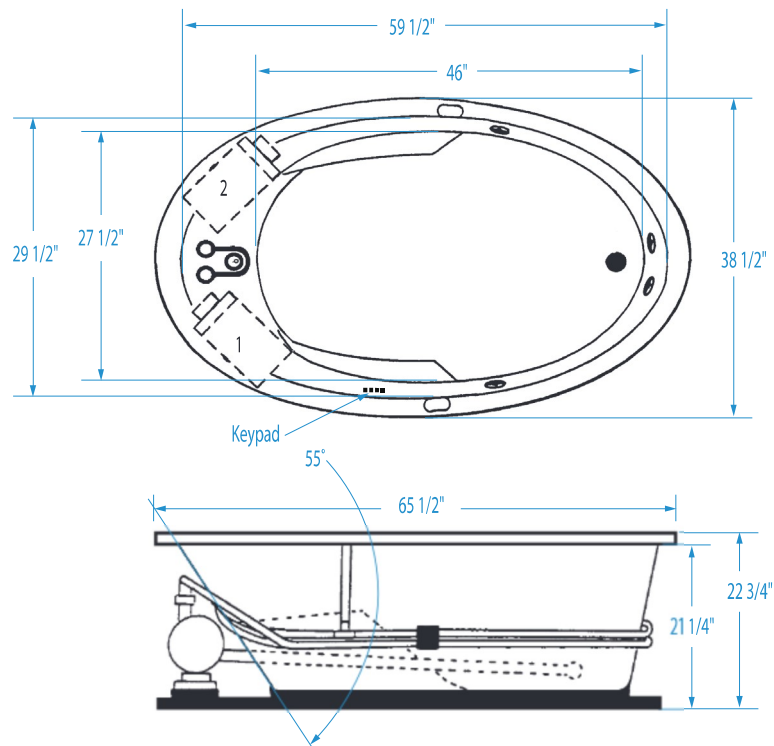


POINT REYES, JR.

65 1/2 x 38 1/2 x 22 3/4 inches



Note: No Grab Bar option available.



FEATURES lbs (kg) Dimensional Tolerance ± 3/8". Dimensions needed for site preparation should be measured from the unit. Aquatic assumes no responsibility for preparatory work.

Type and Model #	Material	Jets	Pump	Heater	Controls	Drain	Pkg. Wt.
Whirlpool #W66400	Cast Acrylic	7	102 GPM	1.5 kw Inline (optional)	Electronic	Universal	230

DIMENSIONS inches

Width Overall / Net	Depth Overall / Net	Height Overall / Net	Skirt Height
65 1/2	38 1/2	22 3/4	-

SUMP DATA inches

Capacity to Overflow gal (lir)	Min. Operating Capacity gal (lir)	WIDTH @ centerline		DEPTH @ centerline	
		Top	Bottom	Top	Bottom
79	60	59 1/2	46	29 1/2	27 1/2

PLUMBING DIMENSIONS inches

A	B	Drain Diameter / Clearance
3 3/4	11 1/4	2 / 7/8

ELECTRICAL DATA

Component	Specification	Requirement
Pump	9 AMP; 120V	15 AMP; 120V, separate circuit; Class A GFCI
Optional Heater	1.5 kW; 12 AMP; 120V	15 AMP; 120V, separate circuit; Class A GFCI

NOTES:

1) Where applicable, utilize cut-out templates packed with unit for deck cutouts.

2) 16 x 16 minimum access required at pump/blower location(s).

3) If a (3T) tiling flange is selected, then the keypad is located opposite of the flange.

NOTE:

1) This whirlpool must be hard wired to the breaker box.