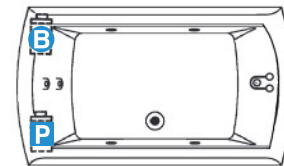
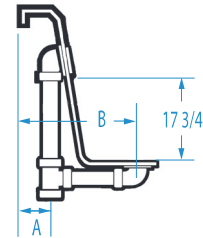
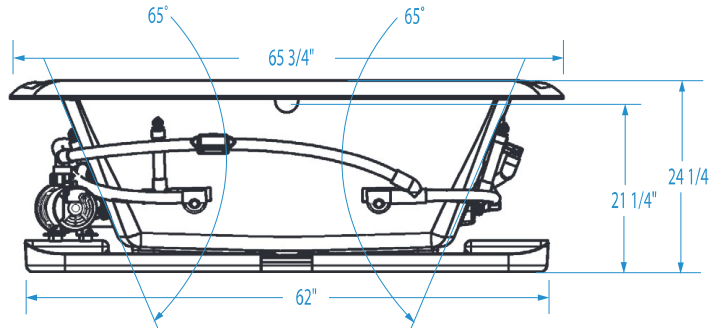


PAGOSA MOTIF

65 3/4 x 42 1/2 x 24 1/4 inches



Note: For Air-whirlpool, no alternate pump/blower location available.



FEATURES lbs [kg] Dimensional Tolerance ± 3/8". Dimensions needed for site preparation should be measured from the unit. Aquatic assumes no responsibility for preparatory work.

Type and Model #	Material	Jets	Pump	Air System	Blower	Heater	Controls	Drain	Pkg. Wt.
Whirlpool #W6642M	Cast Acrylic	9	102 GPM	—	—	1.5 kw Inline (optional)	Electronic	Center Front	216
Air-Whirlpool #W35LUX6642	Cast Acrylic	9	102 GPM	Channel	Variable speed	1.5 kw Inline	Electronic	Center Front	236

DIMENSIONS inches

Width Overall / Net	Depth Overall / Net	Height Overall / Net	Skirt Height
65 3/4	42 1/2	24 1/4 / 21 1/4	—

SUMP DATA inches

Capacity to Overflow gal (ltr)	Min. Operating Capacity gal (ltr)	WIDTH @ centerline		DEPTH @ centerline	
		Top	Bottom	Top	Bottom
93	74	53	37 1/2	32	26 1/2

PLUMBING DIMENSIONS inches

A	B	Drain Diameter / Clearance
3 3/4	12 1/2	

ELECTRICAL DATA

Component	Specification	Requirement
Pump	9 AMP; 120V	15 AMP; 120V, separate circuit; Class A GFCI
Inline Heater	1.5 kW; 12 AMP; 120V	15 AMP; 120V, separate circuit; Class A GFCI
Blower	1.0 HP; 9.5 AMP; 120V	15 AMP; 120V, separate circuit; Class A GFCI

NOTES:

1) Where applicable, utilize cut-out templates packed with unit for deck cutouts.

2) 16 x 16 minimum access required at pump/blower location(s).

3) If a (3T) tiling flange is selected, then the keypad is located opposite of the flange.

NOTE:

1) This whirlpool must be hard wired to the breaker box. Three outlets will be supplied on the air-whirlpool.