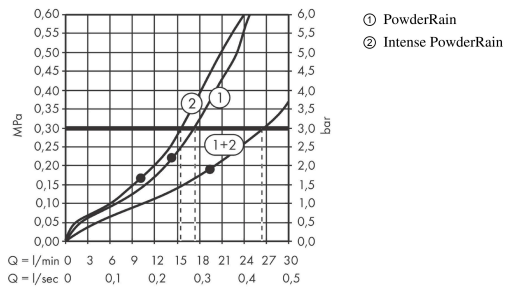




**AXOR ShowerSolutions**  
**Overhead shower 250 2jet with ceiling connection**  
 Surfaces: **Chrome** Article Number: **35297000**



## Flowchart



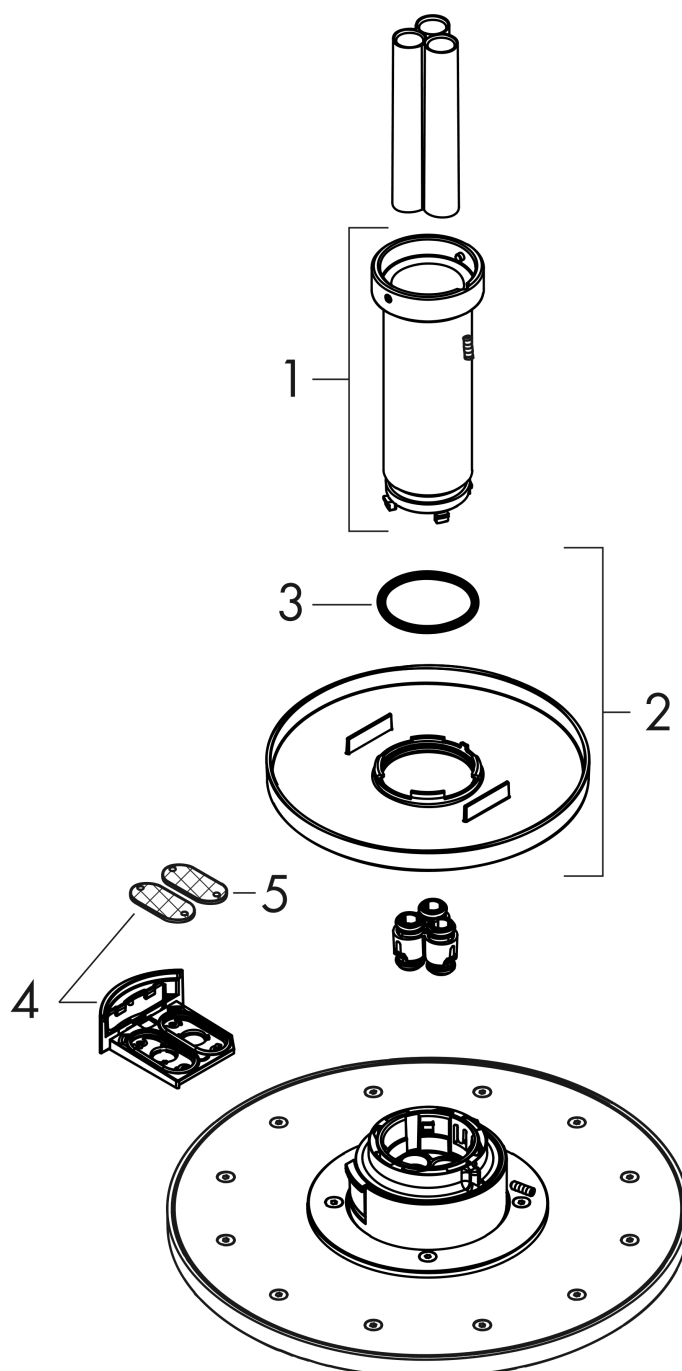
The consumption was measured in combination with the appropriate fittings (thermostat/mixer/ in-wall valve) to reflect actual application in practice.

**AXOR ShowerSolutions**  
**Overhead shower 250 2jet with ceiling connection**  
Surfaces: **Chrome** Article Number: **35297000**



## Exploded Drawing

Year of production: >01/19



**AXOR ShowerSolutions**  
**Overhead shower 250 2jet with ceiling connection**  
 Surfaces: **Chrome**    Article Number: **35297000**



## Spare part list

Year of production: >01/19

| Pos. |               | Article Number | Price | PU |
|------|---------------|----------------|-------|----|
| 1    | sleeve        | 92709000       | -     | 1  |
| 2    | escutcheon    | 93420000       | -     | 1  |
| 3    | O-ring 42x3,5 | 92708000       | -     | 1  |
| 4    | service unit  | 93423000       | -     | 1  |
| 5    | filter        | 93402000       | -     | 1  |