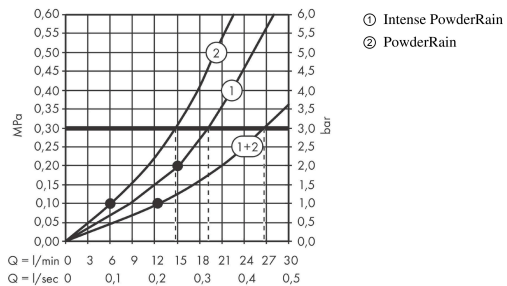


AXOR ShowerSolutions
Overhead shower 250/250 2jet with shower arm
 Surfaces: **Chrome** Article Number: **35310000**



Flowchart



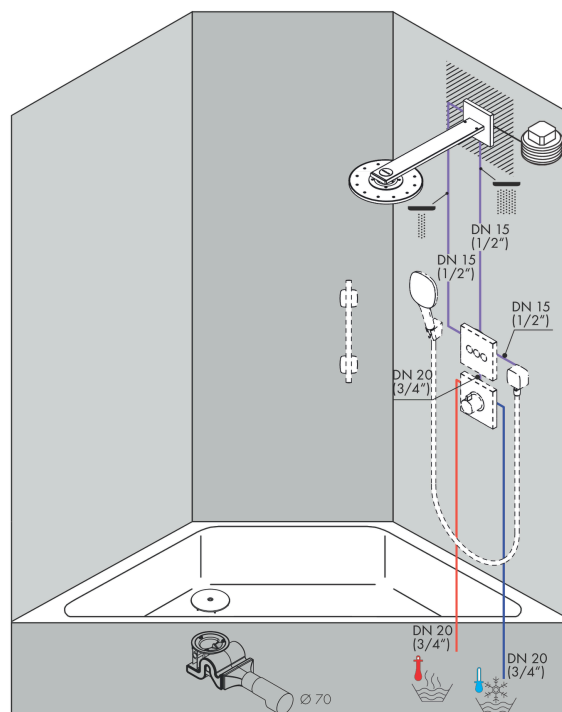
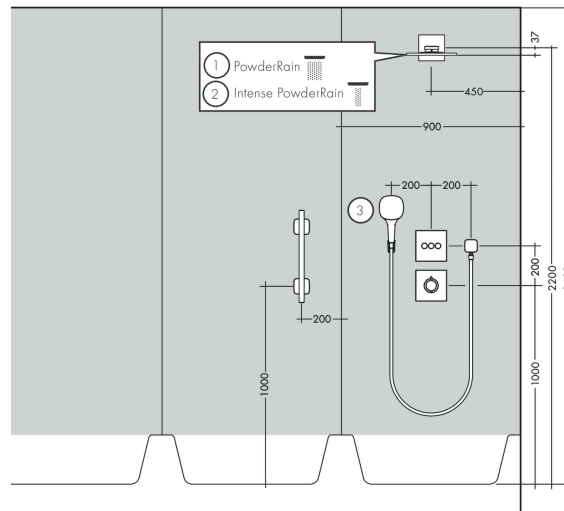
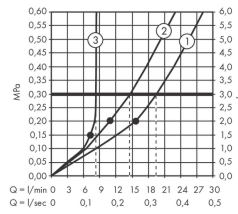
The consumption was measured in combination with the appropriate fittings (thermostat/mixer/in-wall valve) to reflect actual application in practice.

AXOR ShowerSolutions
Overhead shower 250/250 2jet with shower arm
 Surfaces: **Chrome** Article Number: **35310000**



Installation examples

- AXOR ShowerSolutions 250 2jet
35296000
- AXOR ShowerSolutions 300 2jet
35303000
- AXOR ShowerSolutions 250/250 2jet
35310000
- AXOR ShowerSolutions 300/300 2jet
35318000

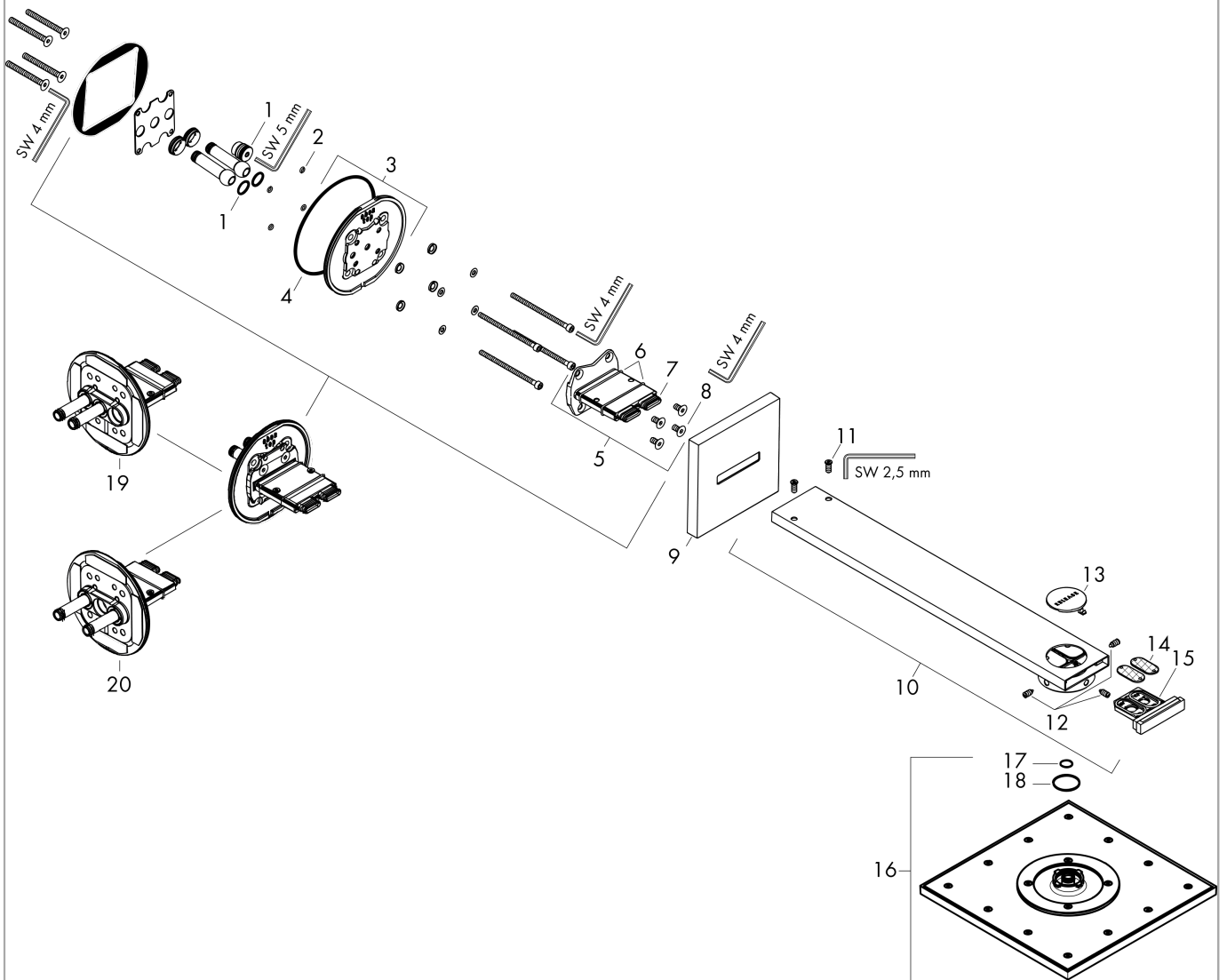


AXOR ShowerSolutions
Overhead shower 250/250 2jet with shower arm
 Surfaces: **Chrome** Article Number: **35310000**



Exploded Drawing

Year of production: >01/19



AXOR ShowerSolutions
Overhead shower 250/250 2jet with shower arm
 Surfaces: **Chrome** Article Number: **35310000**



Spare part list

Year of production: >01/19

Pos.		Article Number	Price	PU
1	O-ring 14x2	98129000	-	1
2	O-ring 4x1,5	93463000	-	1
3	wall flange	93462000	-	1
4	O-ring 120x2,5	93399000	-	1
5	adapter for overhead shower	93456000	-	1
6	O-Ring 30x2	98186000	-	1
7	O-Ring 14x1,5	98201000	-	1
8	screw	92137000	-	1
9	escutcheon	93400000	-	1
10	shower arm	93404000	-	1
11	screw	93431000	-	1
12	press switch	93401000	-	1
13	set of screws	93454000	-	1
14	filter	93402000	-	1
15	service unit	93403000	-	1
16	head shower	93460000	-	1
17	O-Ring 28x2	98194000	-	1
18	O-ring 12x1,5	98430000	-	1
19	conversion kit	93795000	-	1
20	conversion kit	93794000	-	1
a	base body	35361180	-	1