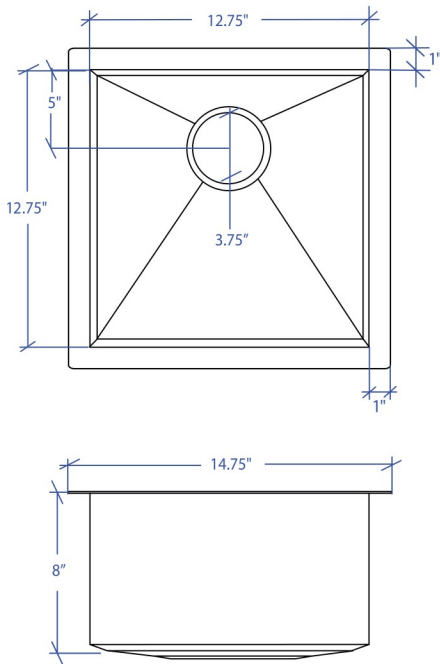


# ORION MOEU-301SB



\*Custom ADA compliant sinks are available



## • FEATURES

16-gauge type 304 stainless steel  
Bevel basin design

## • TECHNICAL INFORMATION

External dimension: 14.75" L x 14.75" W x 8" D  
Basin dimensions: 12.75" L x 12.75" W x 8" D

## • FINISHES

Satin Brushed stainless steel

## • INSTALLATION OPTIONS

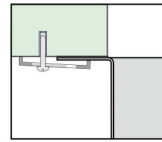
Drop-in  
Under-mount

## • MINIMUM CABINET SIZE (I.D.)

Under-mount 17.75"

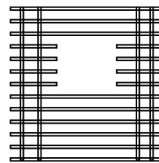
## • US DESIGN PATENT D618,324 S

## • DUAL-MOUNT INSTALLATION

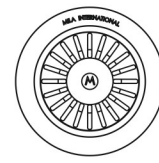


Under-mount

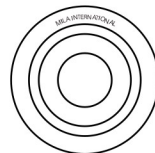
## • ACCESSORY OPTIONS



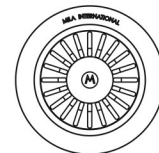
MBG-032SB  
Basin Grid



MKD-101SB  
Strainer



MDC-101SB  
Disposal Collar



MDC-102SB  
Disposal Collar

PROJECT INFORMATION			
Project			
Date	/ /	QTY	
Specifier			
Contact			
Note			

ENTERTAINMENT UNDER-MOUNT