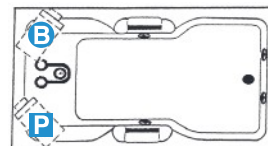
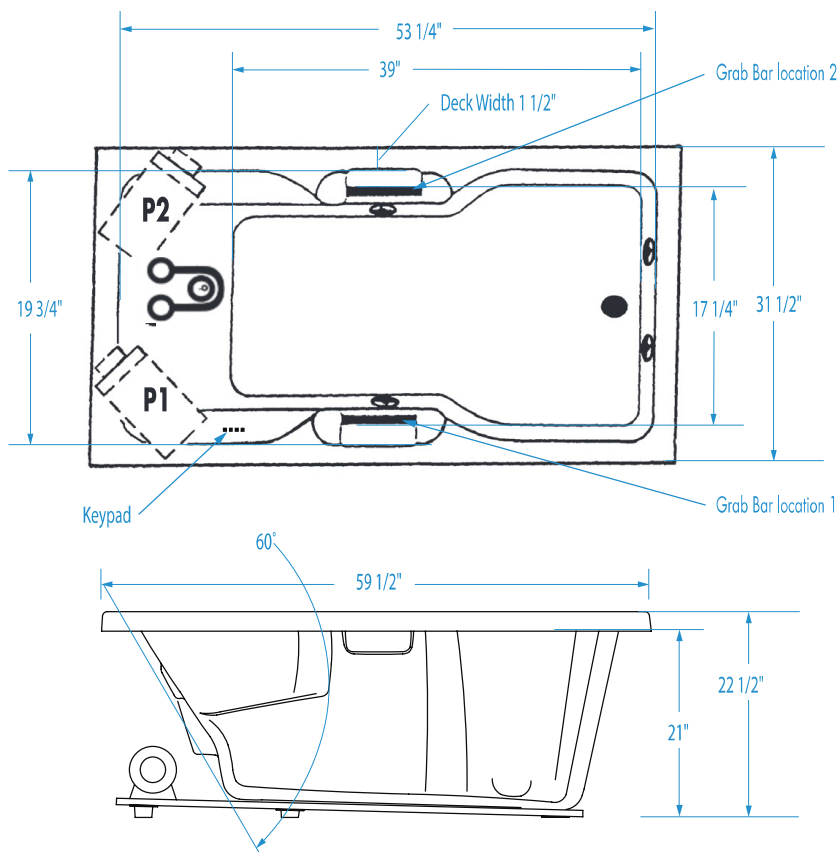


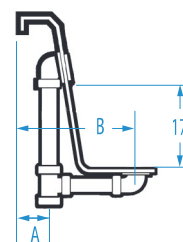
# LAGUNA

59 1/2 x 31 1/2 x 22 1/2 inches



Note: For Air-whirlpool, no alternate pump/blower location available.

Note: Grab bar option comes with two grab bars.



**FEATURES** lbs (kg) Dimensional Tolerance ± 3/8". Dimensions needed for site preparation should be measured from the unit. Aquatic assumes no responsibility for preparatory work.

Type and Model #	Material	Jets	Pump	Air System	Blower	Heater	Controls	Drain	Pkg. Wt.
Whirlpool #W6032D	Cast Acrylic	7	102 GPM	—	—	1.5 kw Inline (optional)	Electronic	Universal	182
Air-Whirlpool #W27LUX6032	Cast Acrylic	7	102 GPM	Channel	Variable speed	1.5 kw Inline	Electronic	Universal	224

## DIMENSIONS inches

Width Overall / Net	Depth Overall / Net	Height Overall / Net	Skirt Height
59 1/2	31 1/2	22 1/2	—

## SUMP DATA inches

Capacity to Overflow gal (lir)	Min. Operating Capacity gal (lir)	WIDTH @ centerline		DEPTH @ centerline	
		Top	Bottom	Top	Bottom
65	46	53 1/4	39	19 3/4	17 1/4

## PLUMBING DIMENSIONS inches

A	B	Drain Diameter / Clearance
3	11 1/4	2 / 5/8

## ELECTRICAL DATA

Component	Specification	Requirement
Pump	9 AMP; 120V	15 AMP; 120V, separate circuit; Class A GFCI
Inline Heater	1.5 kW; 12 AMP; 120V	15 AMP; 120V, separate circuit; Class A GFCI
Blower	1.0 HP; 9.5 AMP; 120V	15 AMP; 120V, separate circuit; Class A GFCI

### NOTES:

1) Where applicable, utilize cut-out templates packed with unit for deck cutouts.

2) 16 x 16 minimum access required at pump/blower location(s).

3) If a (3T) tiling flange is selected, then the keypad is located opposite of the flange.

### NOTE:

1) This whirlpool must be hard wired to the breaker box. Three outlets will be supplied on the air-whirlpool.