
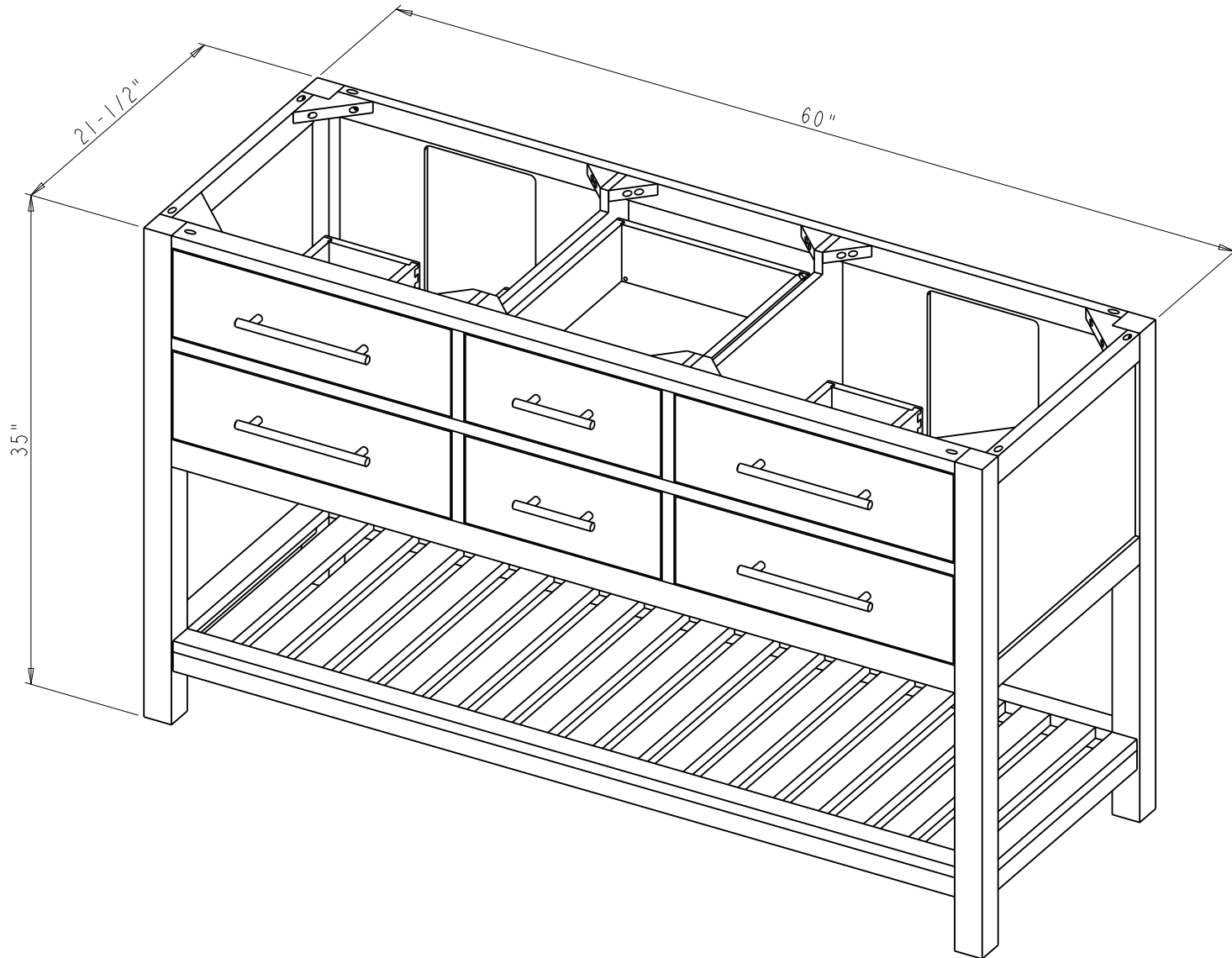



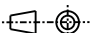
Specification:

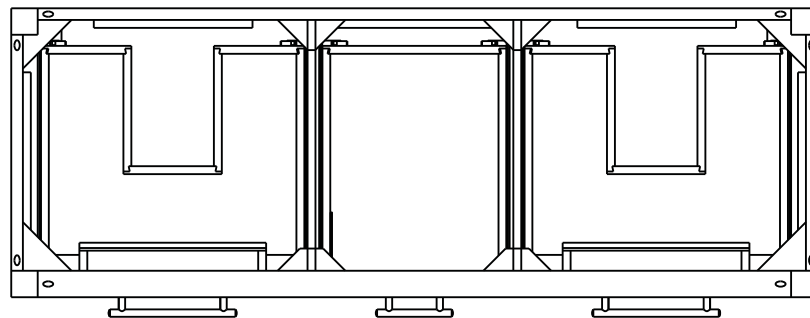
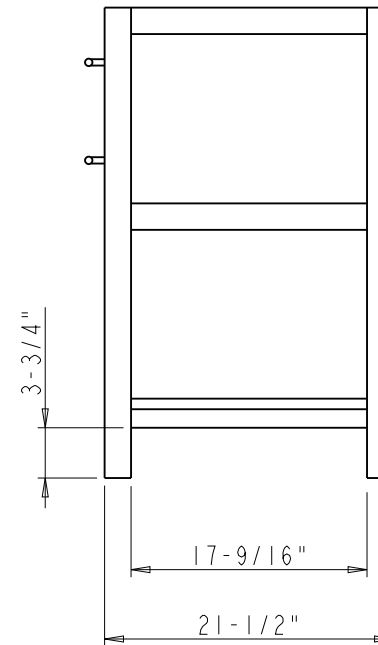
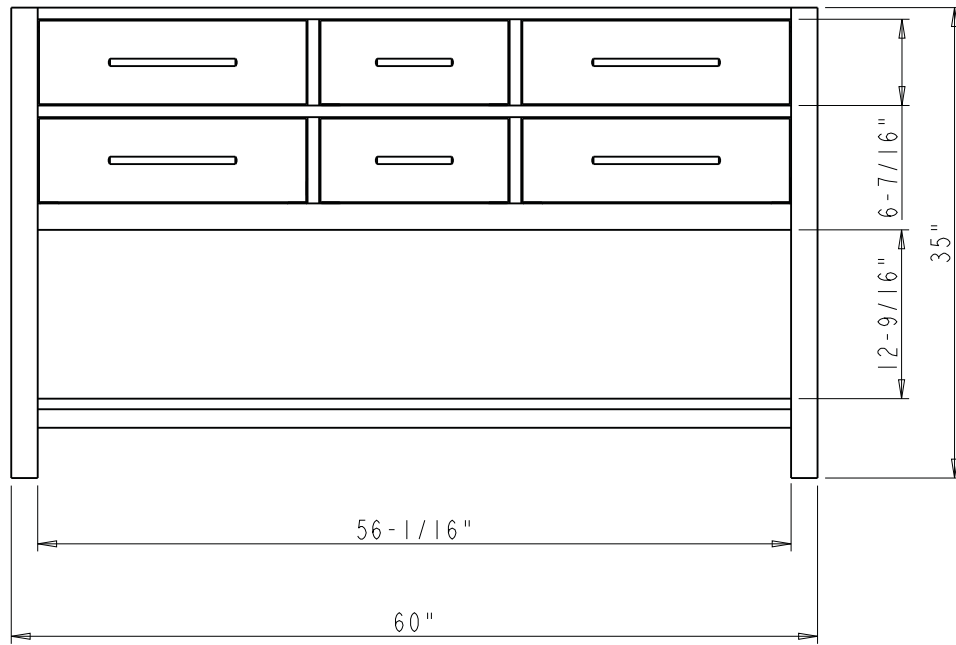
1. Finish: See Table
2. Hardware: See Table
3. Hinge: 700.0537.25+600.1234.05 (4 set)
4. Slide: USE58-300-18 + US-CLIP-4W (4 set)
5. Lid Stay (2 pcs)
6. The tolerance is +/- 1/8"

Item number	Finish	Deco Hardware			
		Item number	Qty	Item number	Qty
VN2WAV-60-GR-NT	Grey	146SN	2	242SN	4
VN2WAV-60-WH-NT	White	146MB	2	242MB	4

 <p>PROPRIETARY AND CONFIDENTIAL</p> <p>THE INFORMATION CONTAINED IN THIS DRAWING IS THE SOLE PROPERTY OF HARDWARE RESOURCES INC. ANY REPRODUCTION IN PART OR AS A WHOLE WITHOUT THE WRITTEN PERMISSION OF HARDWARE RESOURCES INC. IS PROHIBITED.</p> <p>DO NOT SCALE DRAWING</p>	ITEM:	VN2WAV-60		MATERIAL:
	FINISH:			WEIGHT:
				PROJECTION
	TOLERANCE UNLESS OTHERWISE SPECIFIED: X ±0.20 X.X ±0.10 X.XX ±0.05 ANGULAR: ±0.5°		UNITS:	DRAWN BY:
SIZE:	APPROVED BY:	Hugo.cai		Mar-24-20
SHEET:	RELEASE LEVEL:	REVISION:		



	ITEM#: VN2WAV - 60		MATERIAL:		
	FINISH:		WEIGHT: 9		
<p>PROPRIETARY AND CONFIDENTIAL</p> <p>THE INFORMATION CONTAINED IN THIS DRAWING IS THE SOLE PROPERTY OF HARDWARE RESOURCES INC. ANY REPRODUCTION IN PART OR AS A WHOLE WITHOUT THE WRITTEN PERMISSION OF HARDWARE RESOURCES INC. IS PROHIBITED.</p>	<p>TOLERANCE UNLESS OTHERWISE SPECIFIED:</p> <p>X ±0.20</p> <p>X.X ±0.10</p> <p>X.XX ±0.05</p> <p>ANGULAR: ±0.5°</p>		<p>UNITS:</p>	<p>DRAWN BY:</p> <p><i>Hugo.cai</i></p>	<p>DATE:</p> <p>Mar - 24 - 20</p>
	DO NOT SCALE DRAWING		<p>SIZE:</p>	<p>APPROVED BY:</p>	<p>DATE:</p>
			<p>SHEET:</p>	<p>RELEASE LEVEL:</p>	<p>REVISION:</p>
					



<p>hardware resources</p> <p>PROPRIETARY AND CONFIDENTIAL</p> <p>THE INFORMATION CONTAINED IN THIS DRAWING IS THE SOLE PROPERTY OF HARDWARE RESOURCES INC. ANY REPRODUCTION IN PART OR AS A WHOLE WITHOUT THE WRITTEN PERMISSION OF HARDWARE RESOURCES INC. IS PROHIBITED.</p> <p>DO NOT SCALE DRAWING</p>	ITEM:	VN2WAV - 60		MATERIAL:
	FINISH:			WEIGHT:
	TOLERANCE UNLESS OTHERWISE SPECIFIED:	UNITS:	DRAWN BY:	DATE:
	SIZE:	APPROVED BY:	Hugo.cai	
ANGULAR: ±0.5°	RELEASE LEVEL:	Mar - 24 - 20		
	SHEET:	REVISION:		