

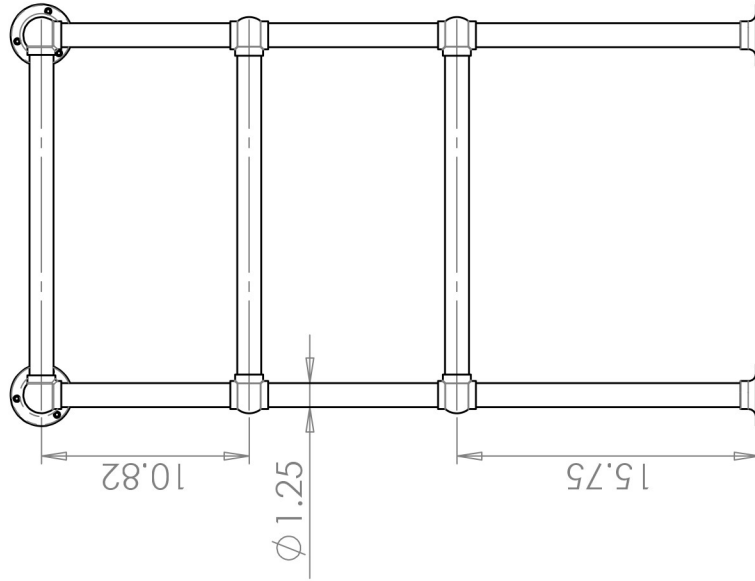
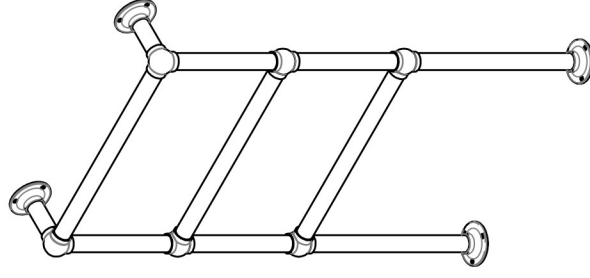
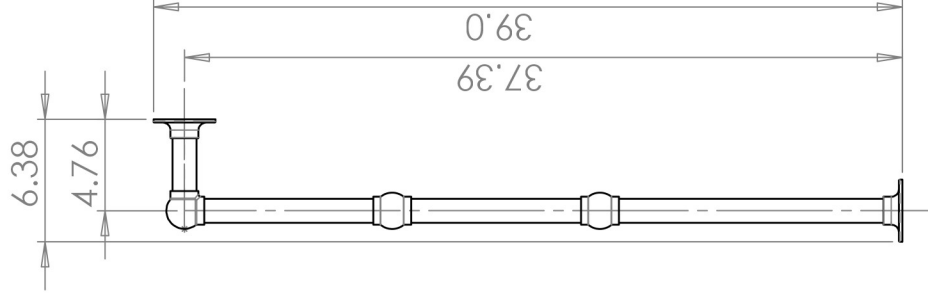
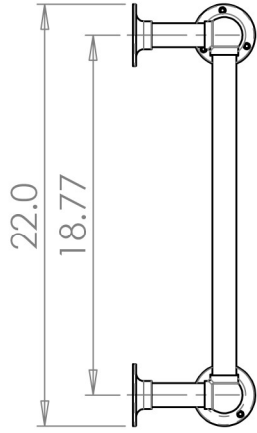
# Enville 3 Rail

39.0 x 22.0 x 6.38

06 April 2021

## ENVI-3-E-990.6-558.8-XX

- |                             |                         |
|-----------------------------|-------------------------|
| UB - UNLACQUERED BRASS      | CP - POLISHED CHROME    |
| BB - BRUSHED BRASS          | NP - POLISHED NICKEL    |
| BN - BRUSHED NICKEL         | LB - LIGHT BRONZE       |
| LAB - LIGHT ANTIQUE BRONZE  | MB - MEDIUM BRONZE      |
| MAB - MEDIUM ANTIQUE BRONZE | DB - DARK BRONZE        |
| DAB - DARK ANTIQUE BRONZE   | GP - GOLD PLATED        |
| AG - ANTIQUE GOLD           | GM - GUN METAL          |
| MWP - MATT WHITE P.COAT     | MBP - MATT BLACK P.COAT |



**THE STERLINGHAM CO.**

SCALE: 1:1 APPROX WEIGHT 5.59KG

MANUFACTURED FROM BRASS

Units 2 & 2A Stamford Street  
Amblecote, Stourbridge,  
Worcestershire  
England, DY8 4HR

Telephone : 01384 370901  
Fax : 01384 880159  
ussales@sterlingham.co.uk  
www.sterlingham.co.uk

### For Electric Towel Warmers:

Default cable exit is bottom right, 3m cable length - this can be modified, please state your requirements upon placing your order.