

AXOR One
Single lever bath mixer floor-standing
 Surfaces: **Brushed Nickel** Article Number: **48440820**



product features

- consists of: single lever bath mixer floor standing, hand shower, shower hose, shower holder
- 2 functions
- projection 220 mm
- connection type: basic set
- spray type mixer: normal spray
- spray type hand shower: PowderRain
- flow rate for bath spout at 3 bar: 21,5 l/min
- flow rate of hand shower at 3 bar: 8 l/min
- min. operating pressure: 1 bar
- max. operating pressure: 10 bar
- ceramic cartridge
- temperature limitation adjustable
- diverter with automatic resetting
- non-return valve
- connection dimension: DN15

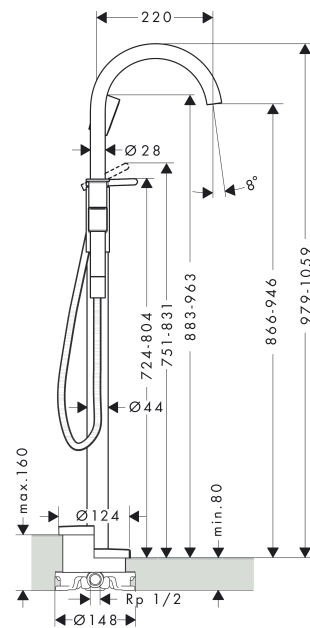
Technology



Product image



Scale drawing



AXOR One
Single lever bath mixer floor-standing
 Surfaces: **Brushed Nickel** Article Number: **48440820**



Flowchart

