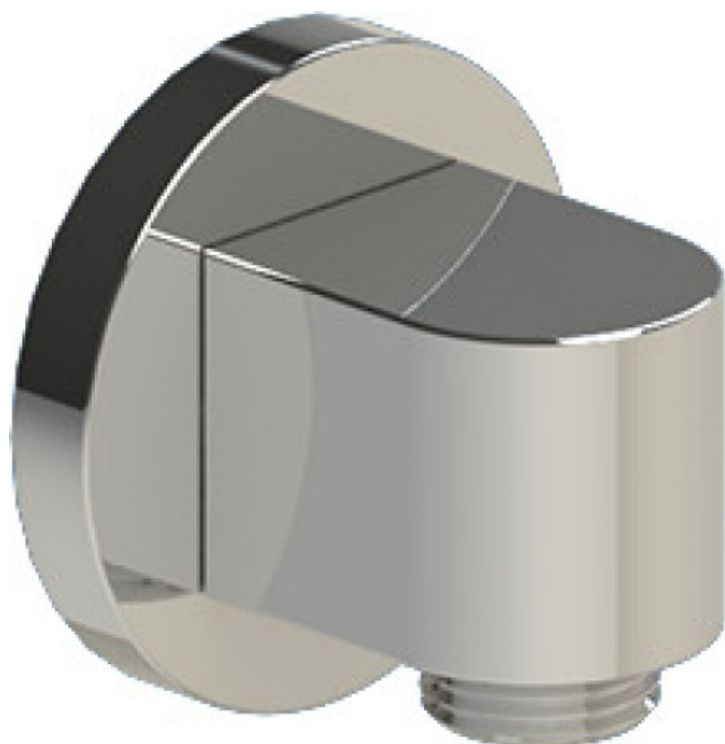
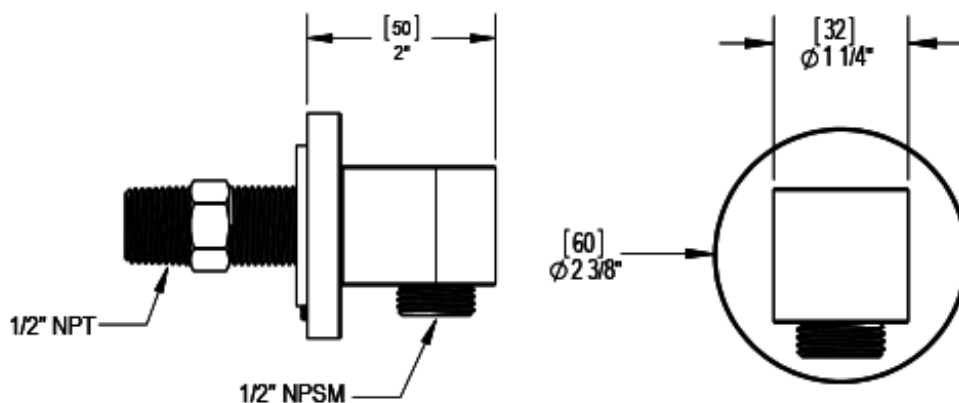


T47NVLCHCH Specifications



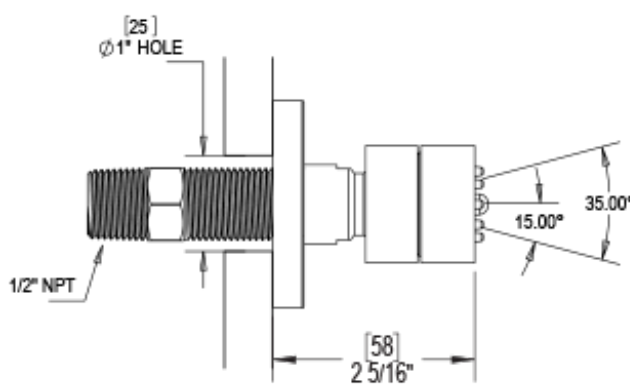


INTEGRAL SUPPLY WITH 1/2" NPT X 1/2" NPSM X 3" NIPPLE



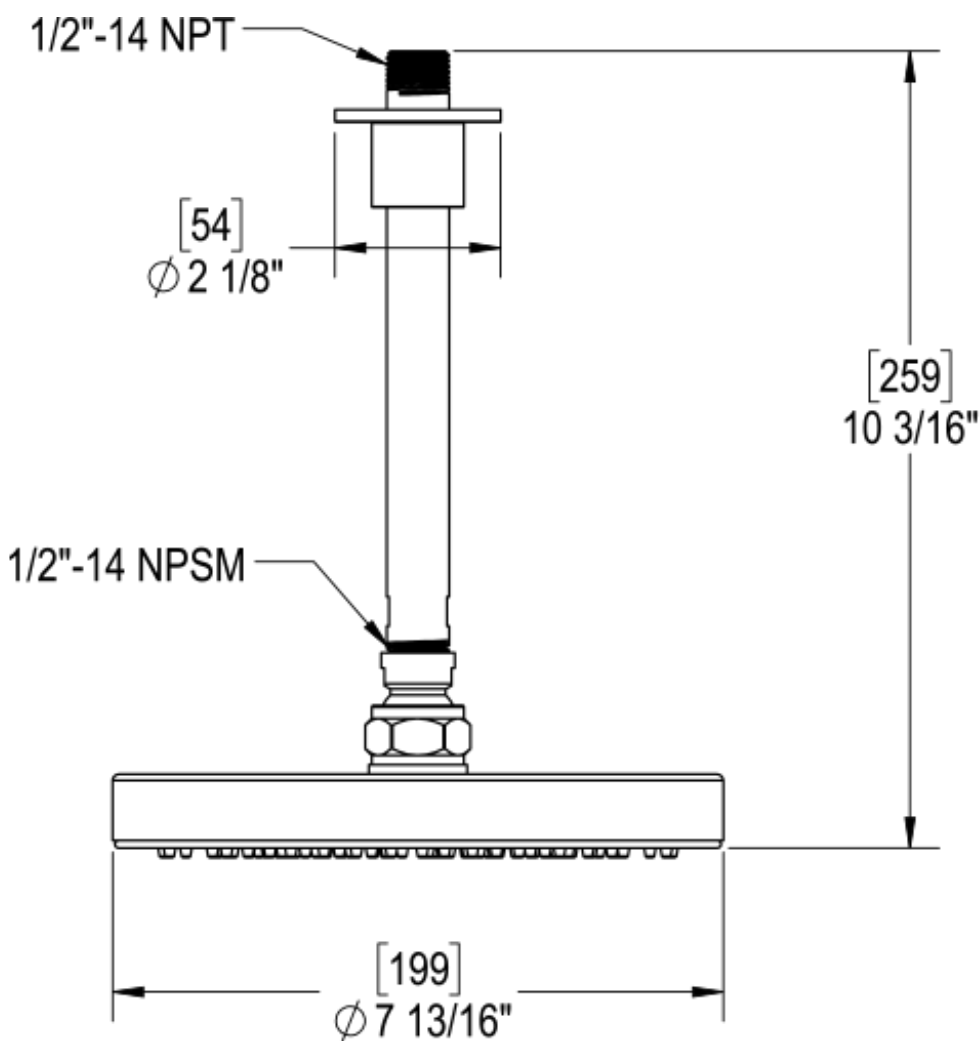


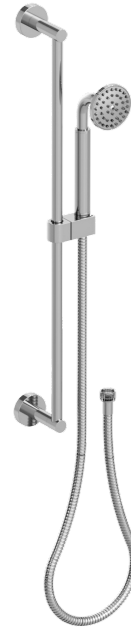
BODY SPRAY WITH 1/2" NPT X 1/2" NPSM X 3" NIPPLE



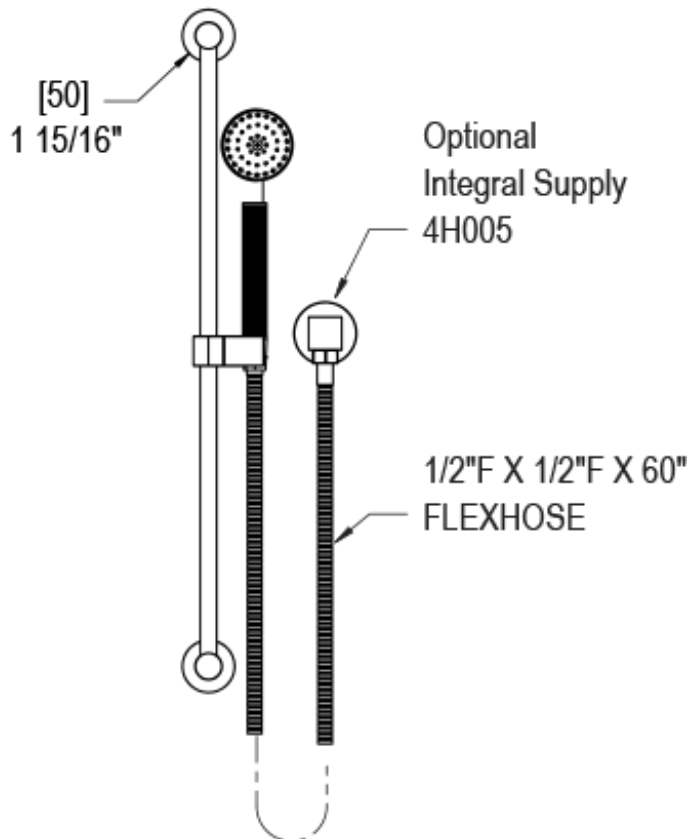
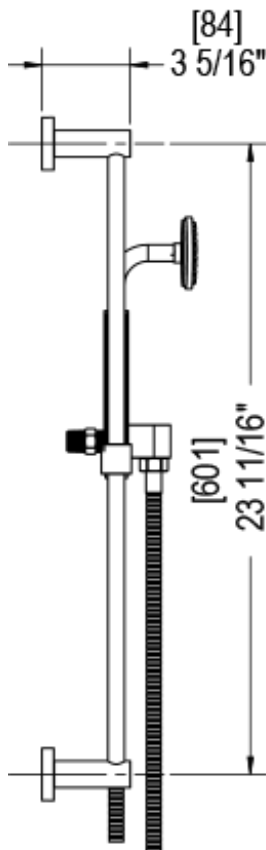


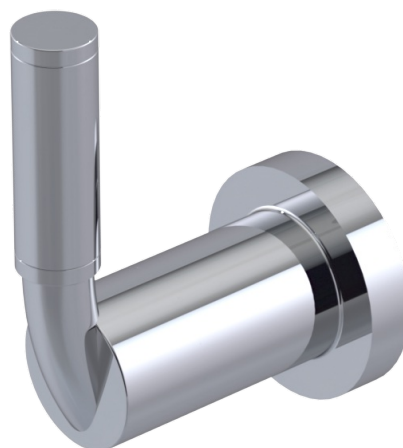
8" SHOWER HEAD WITH CEILING MOUNT 8" SHOWER ARM FLANGE





ADJUSTABLE SLIDE BAR WITH HAND HELD SHOWER ASSEMBLY SINGLE FUNCTION





VOLUME CONTROL VALVE

