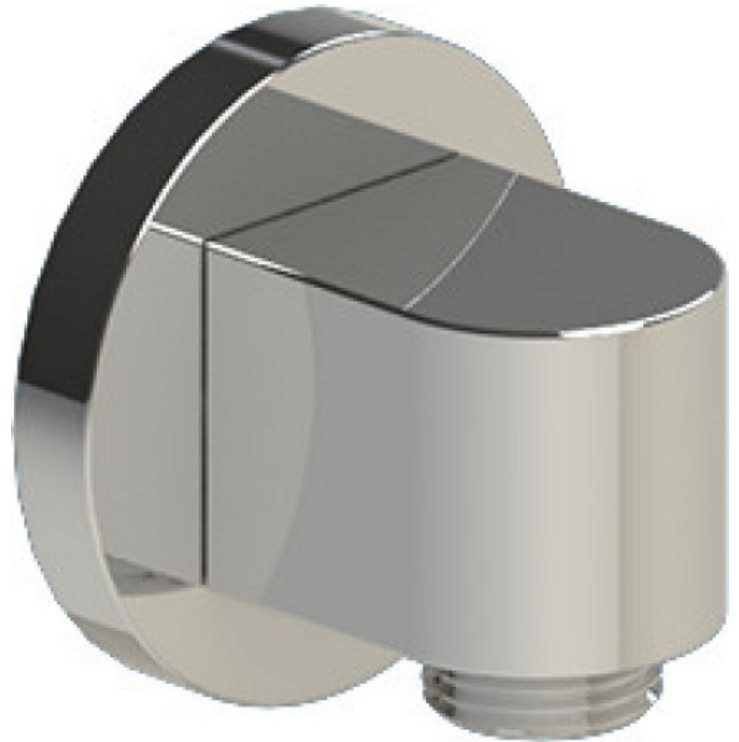
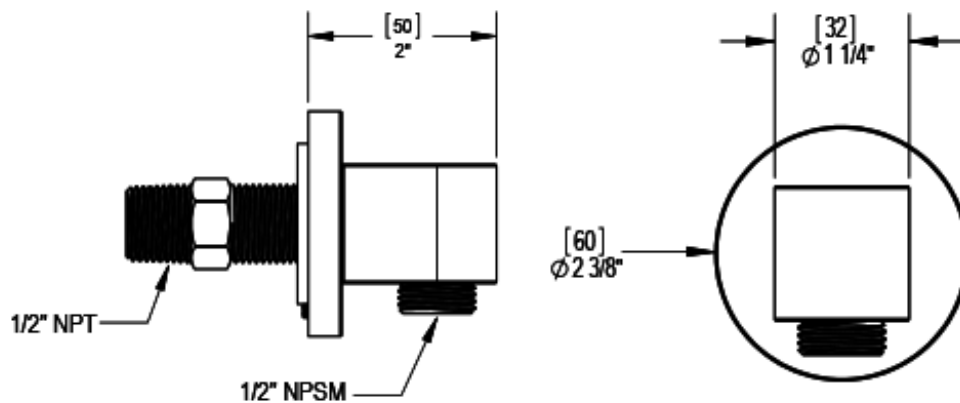


# T30NVLCHCH Specifications



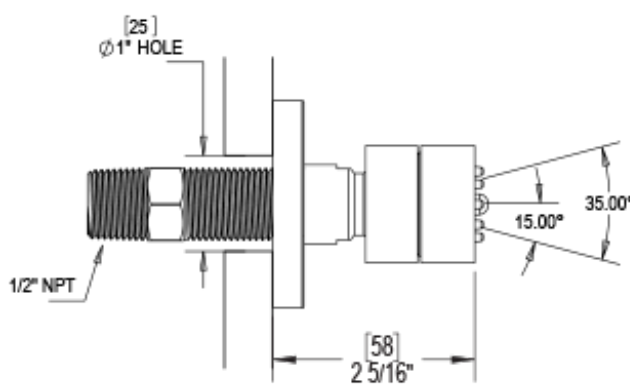


INTEGRAL SUPPLY WITH 1/2" NPT X 1/2" NPSM X 3" NIPPLE



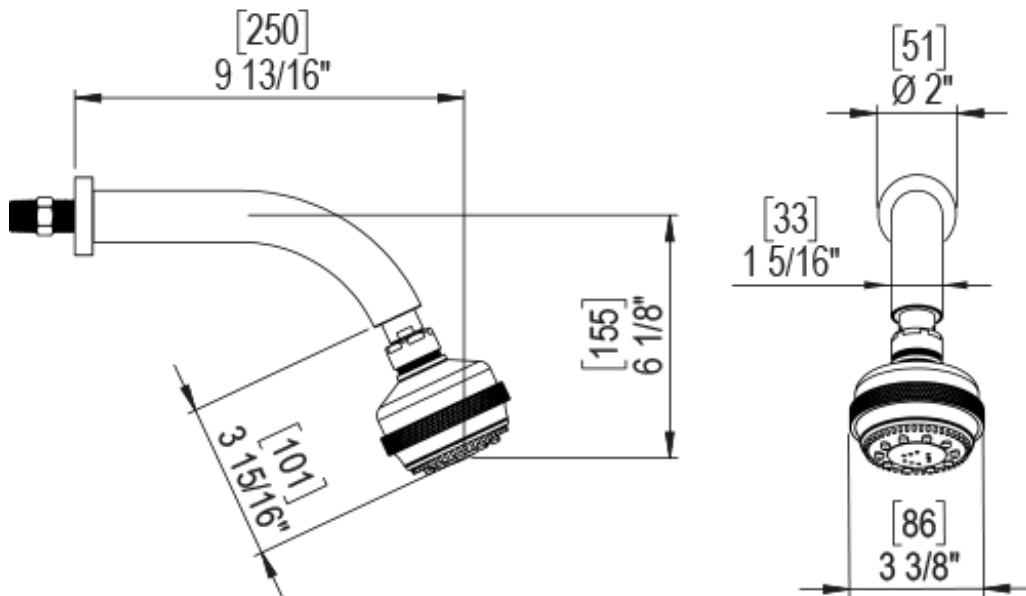


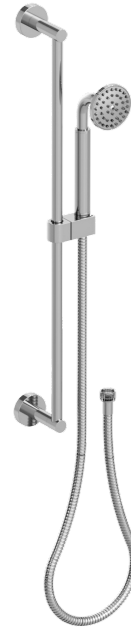
BODY SPRAY WITH 1/2" NPT X 1/2" NPSM X 3" NIPPLE



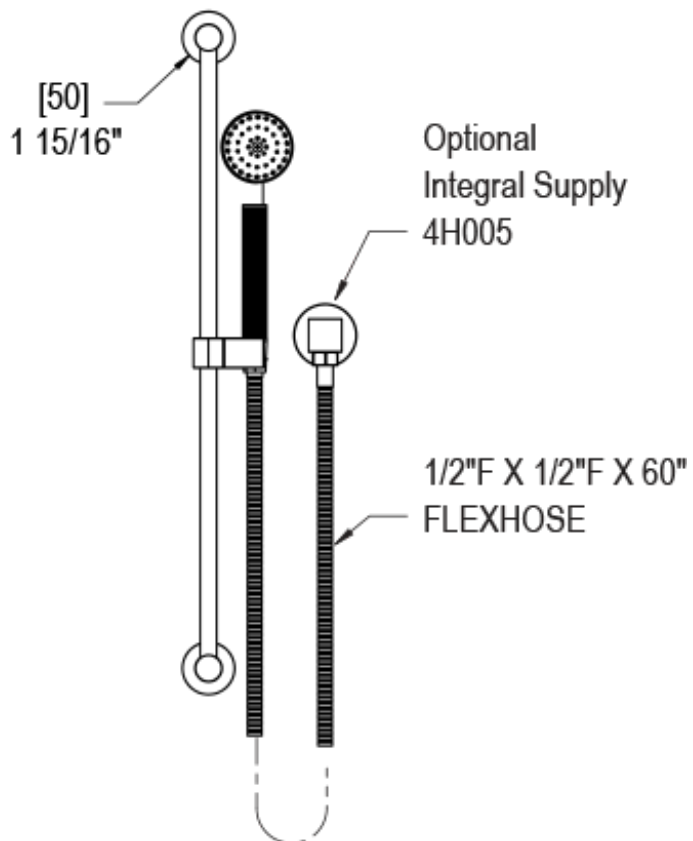
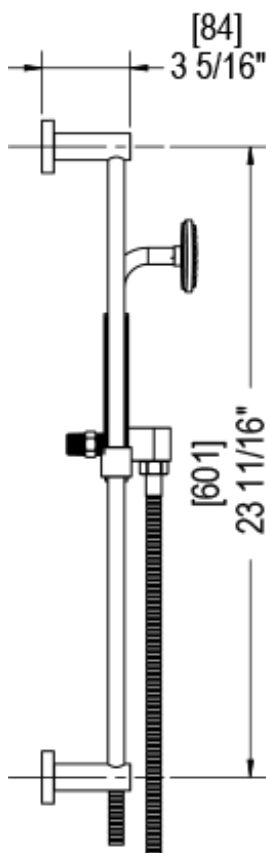


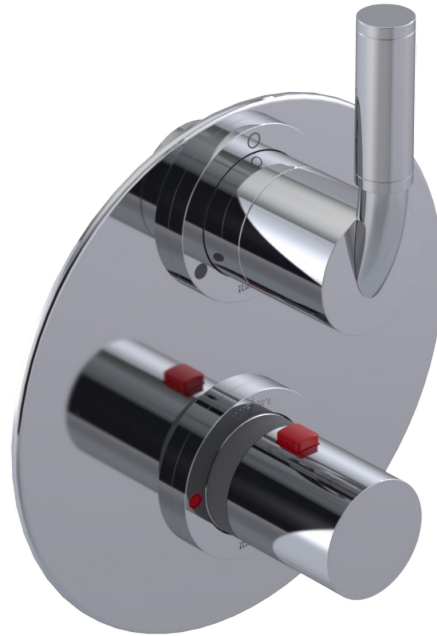
3 FUNCTION SHOWER HEAD WITH 8" SHOWER ARM & FLANGE



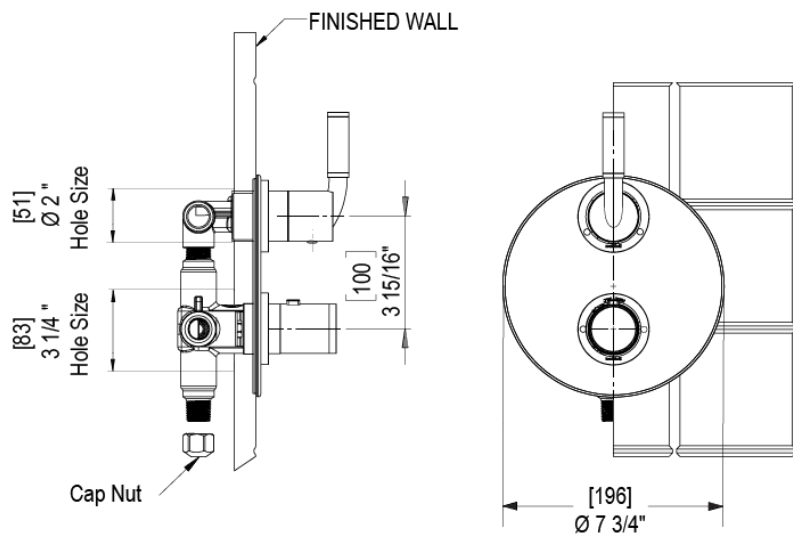


ADJUSTABLE SLIDE BAR WITH HAND HELD SHOWER ASSEMBLY SINGLE FUNCTION





TEMPERATURE CONTROL VALVE WITH STOPS & TWO WAY DIVERTER WITH SHUT-OFF





VOLUME CONTROL VALVE

