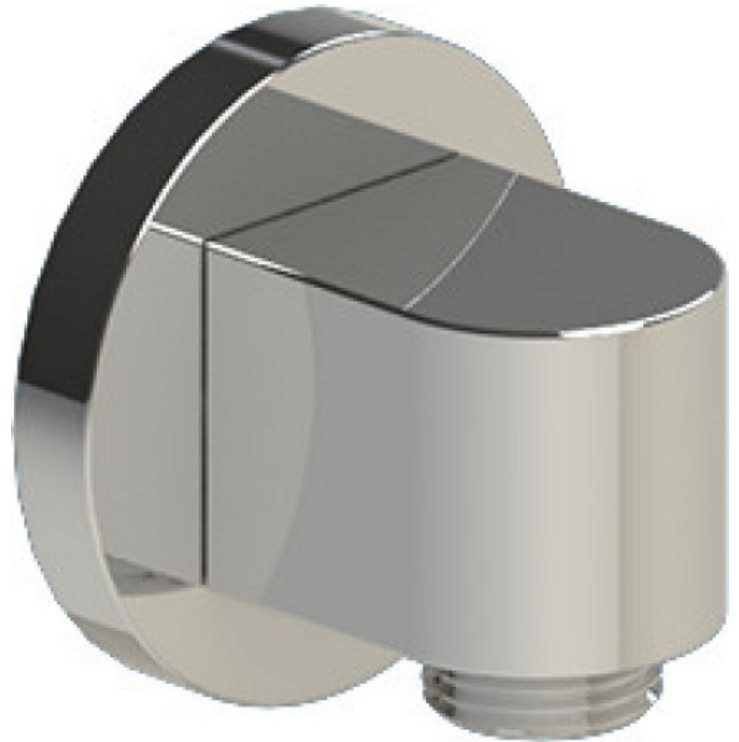
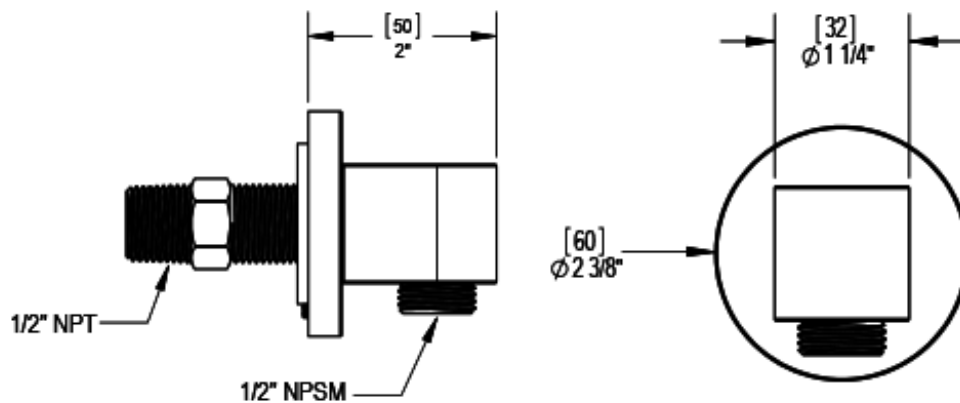


T46NVLCHCH Specifications



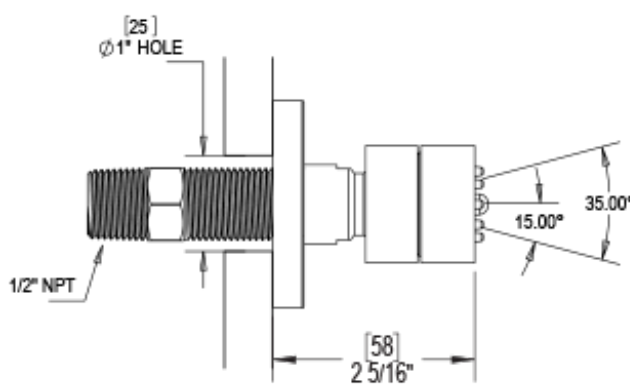


INTEGRAL SUPPLY WITH 1/2" NPT X 1/2" NPSM X 3" NIPPLE



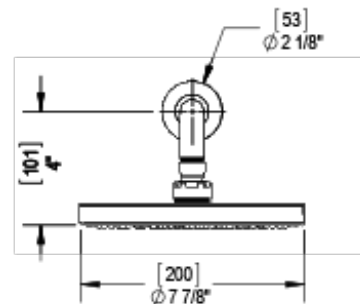
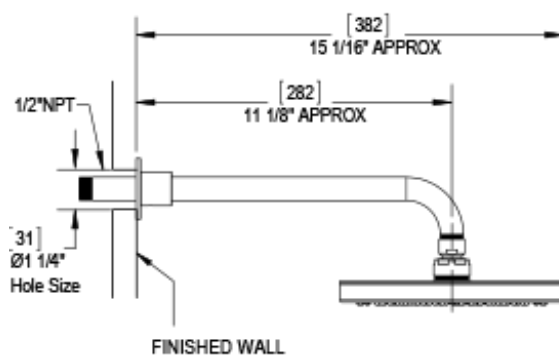


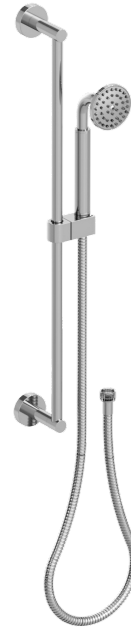
BODY SPRAY WITH 1/2" NPT X 1/2" NPSM X 3" NIPPLE



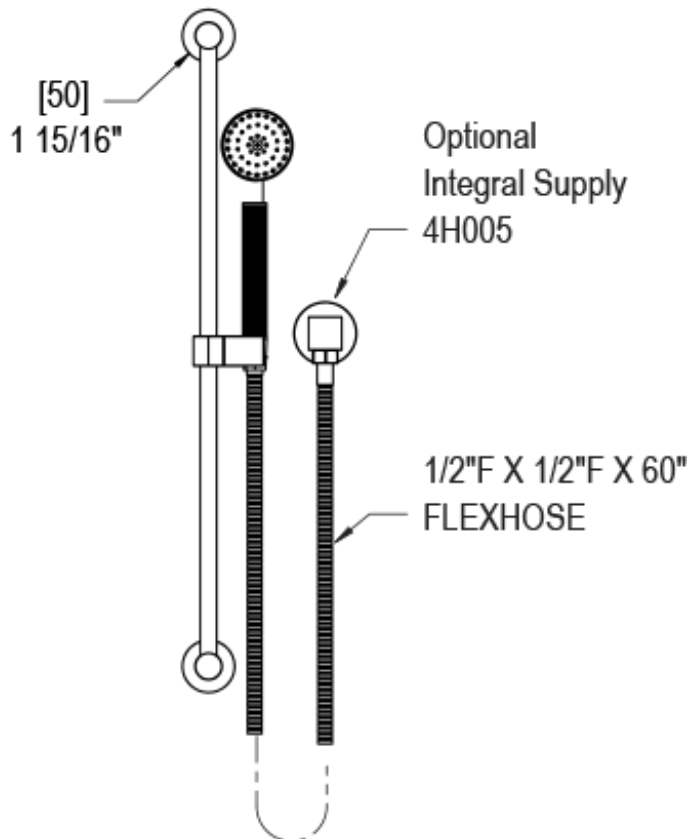
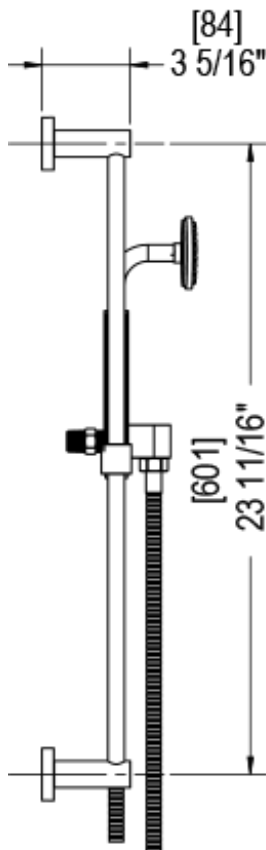


8" SHOWER HEAD WITH WALL MOUNT 16" SHOWER ARM & FLANGE





ADJUSTABLE SLIDE BAR WITH HAND HELD SHOWER ASSEMBLY SINGLE FUNCTION





VOLUME CONTROL VALVE

