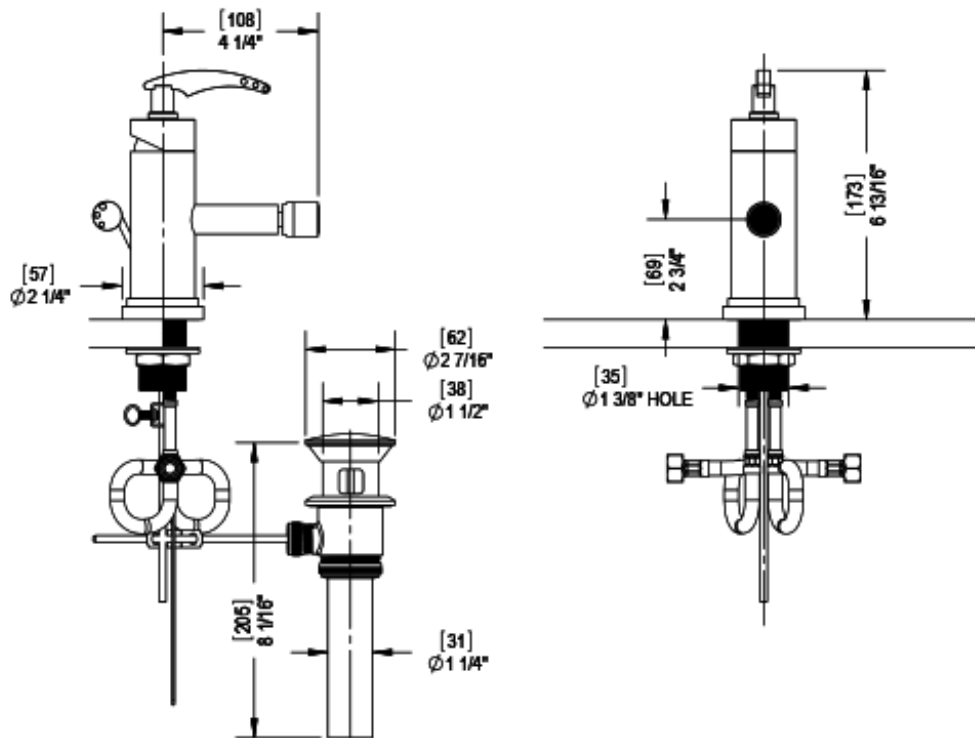




SINGLE HOLE SINGLE CONTROL BIDET FITTING (LESS DRAIN)



Critical Dimensions