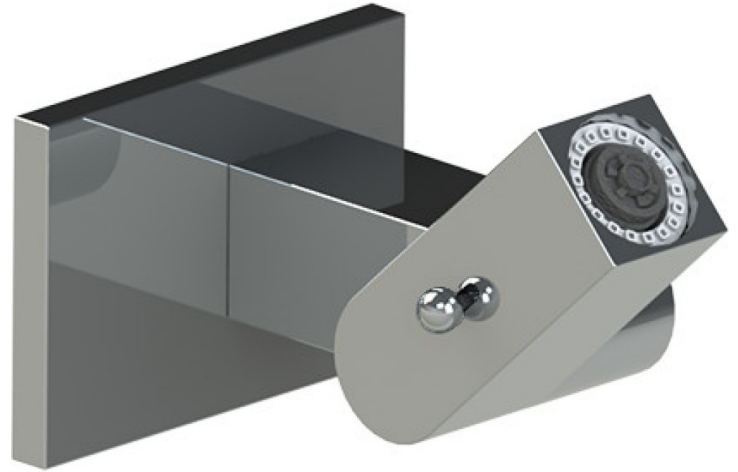
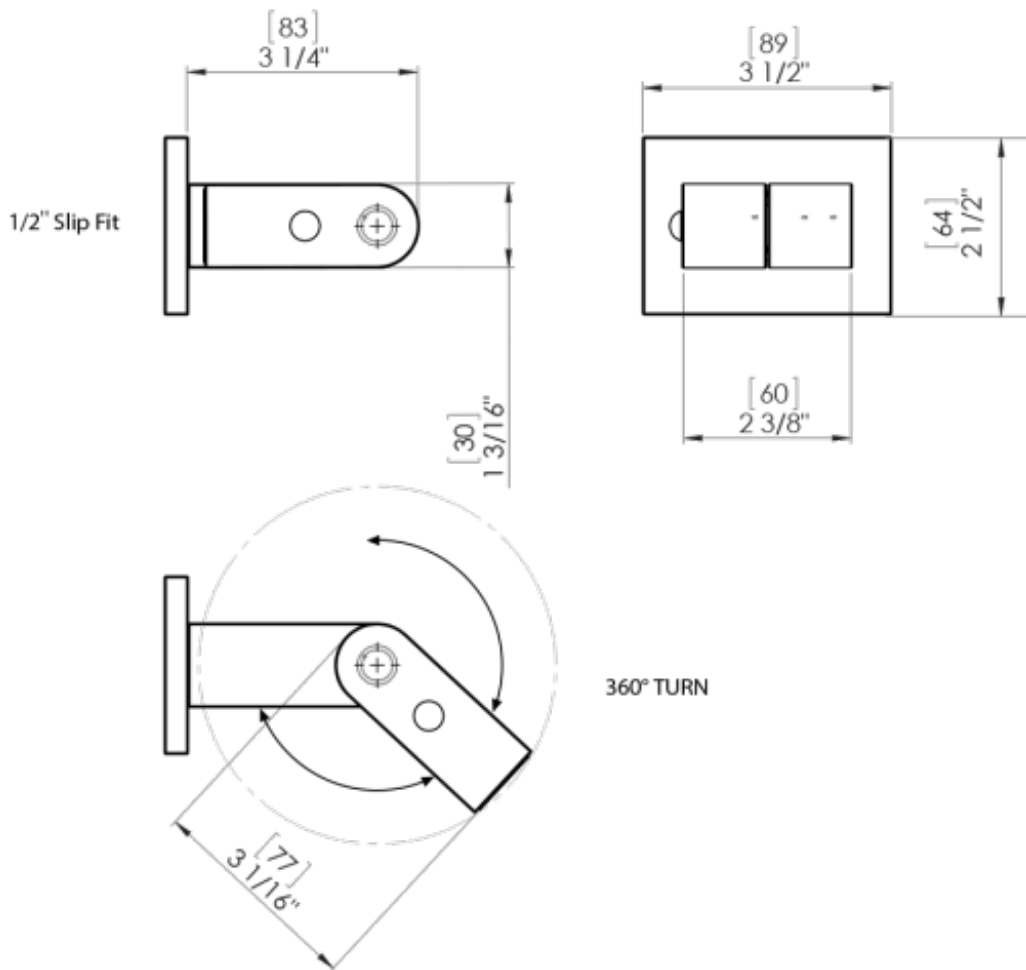


# T27NVLCHCH Specifications



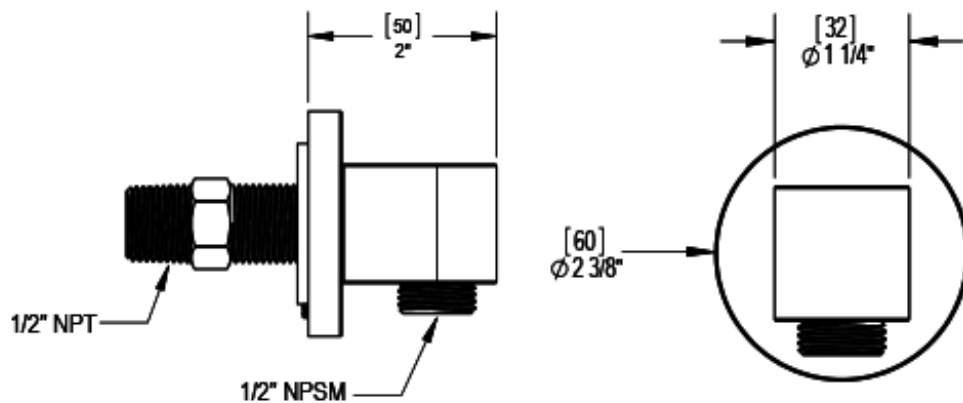


WALL MOUNT BIDET & FOOT RINSE WITH DUAL FUNCTION SPRAY



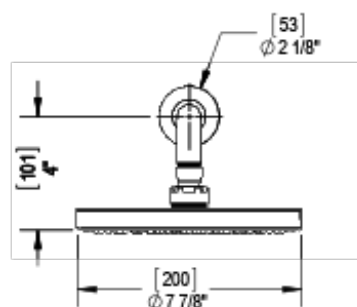
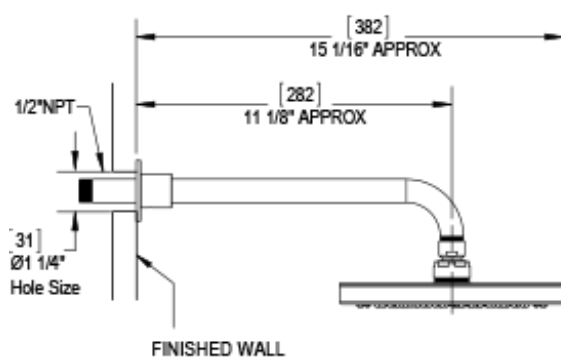


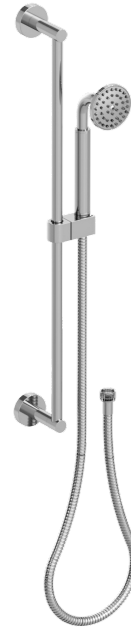
INTEGRAL SUPPLY WITH 1/2" NPT X 1/2" NPSM X 3" NIPPLE



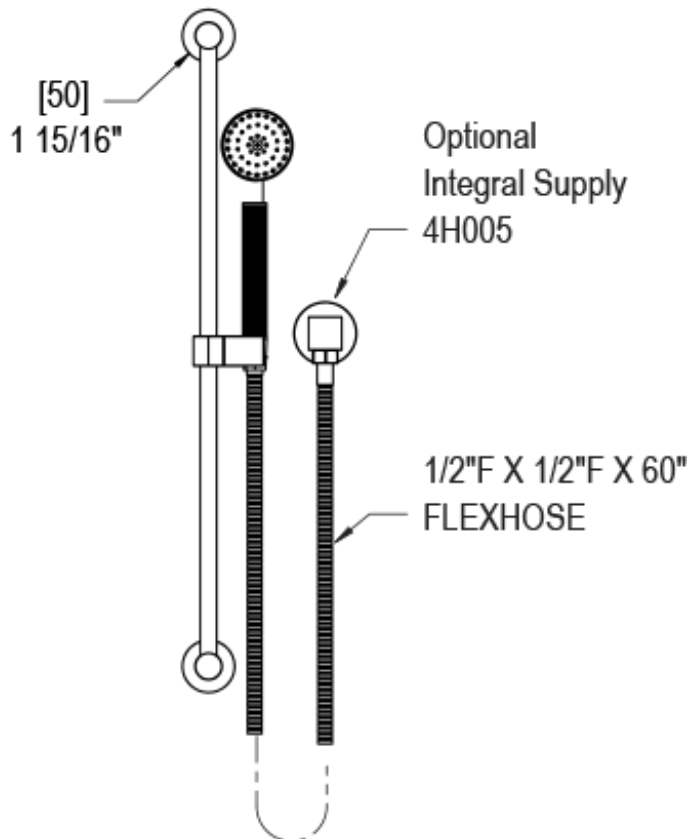
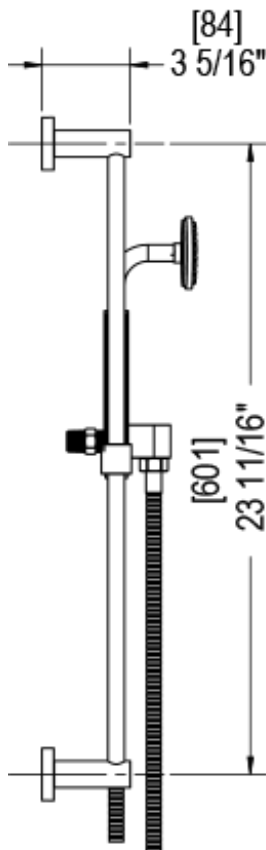


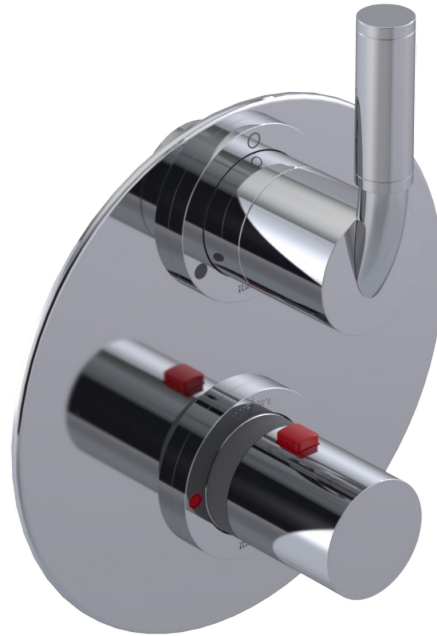
8" SHOWER HEAD WITH WALL MOUNT 16" SHOWER ARM & FLANGE



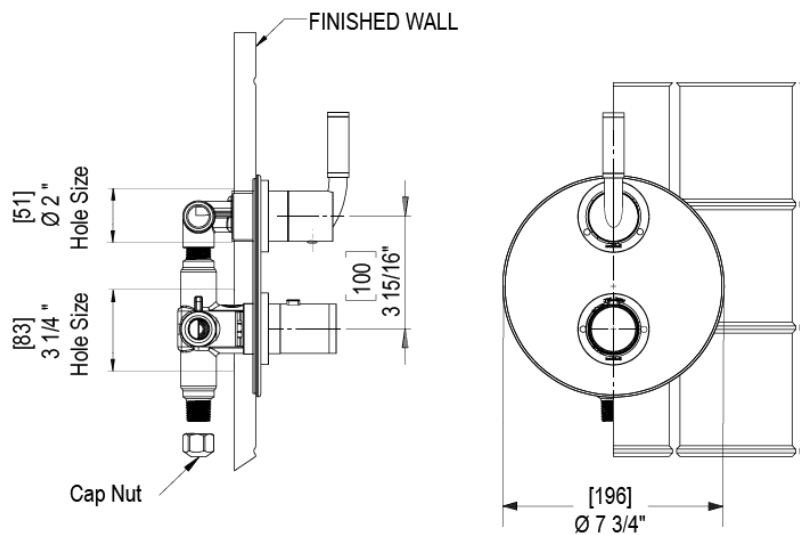


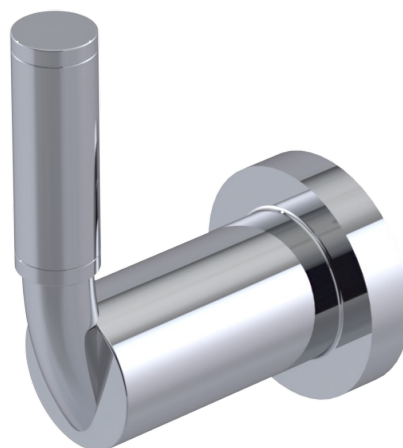
ADJUSTABLE SLIDE BAR WITH HAND HELD SHOWER ASSEMBLY SINGLE FUNCTION





TEMPERATURE CONTROL VALVE WITH STOPS & TWO WAY DIVERTER WITH SHUT-OFF





VOLUME CONTROL VALVE

