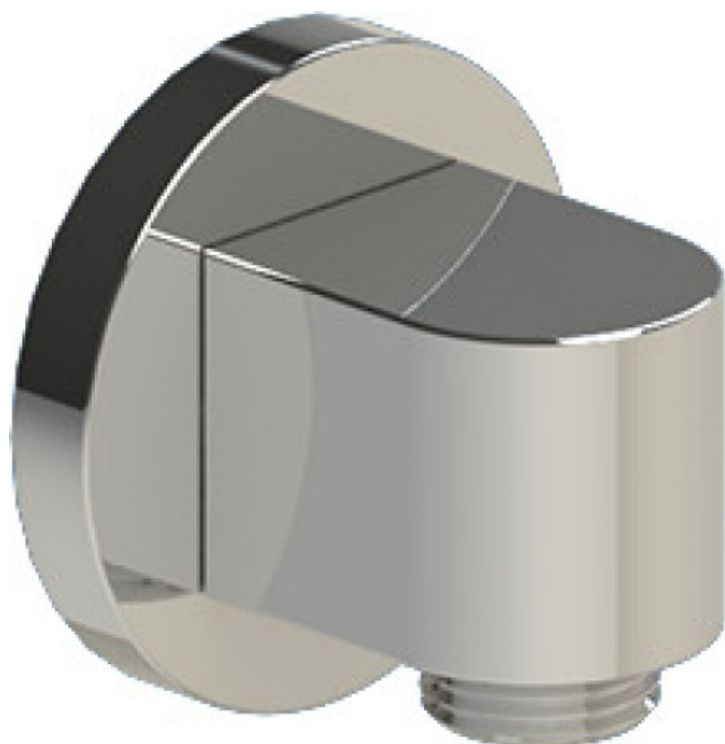
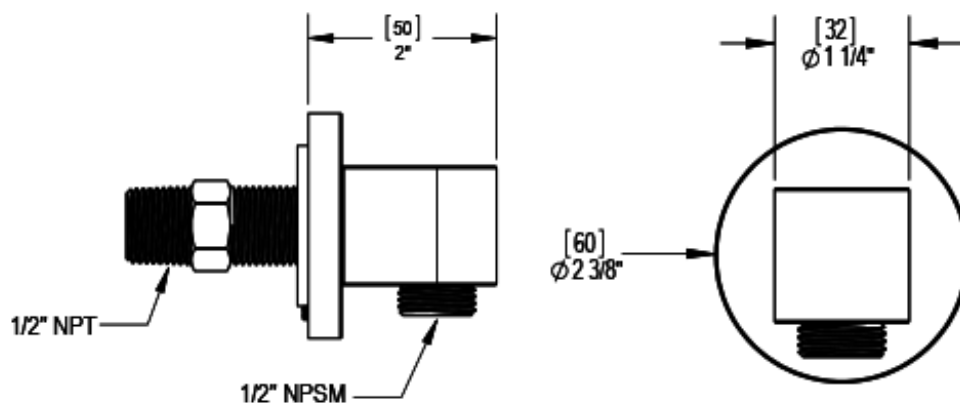


# T45NVLCHCH Specifications



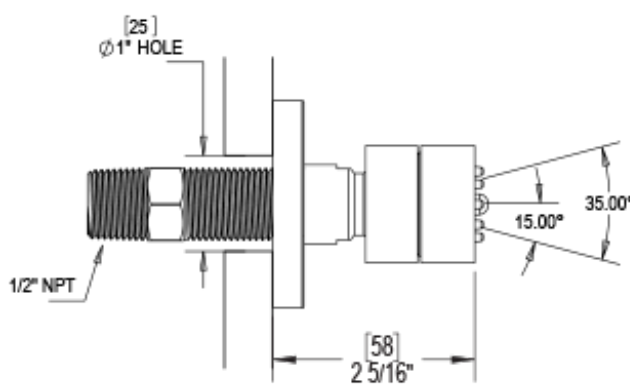


INTEGRAL SUPPLY WITH 1/2" NPT X 1/2" NPSM X 3" NIPPLE



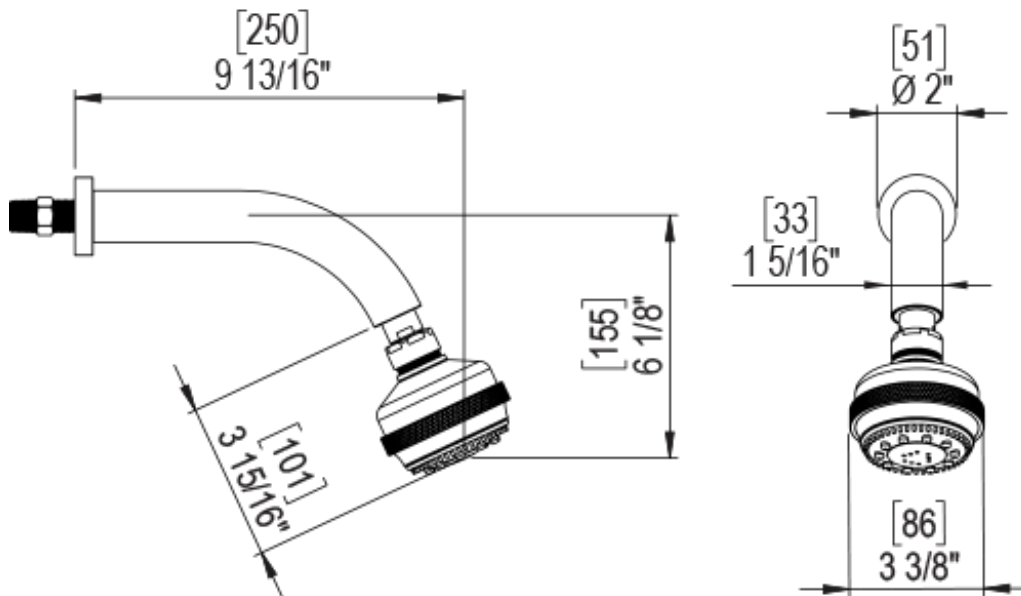


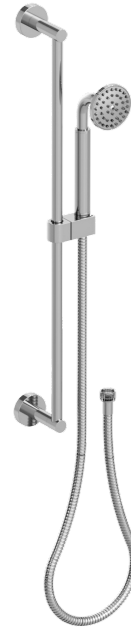
BODY SPRAY WITH 1/2" NPT X 1/2" NPSM X 3" NIPPLE



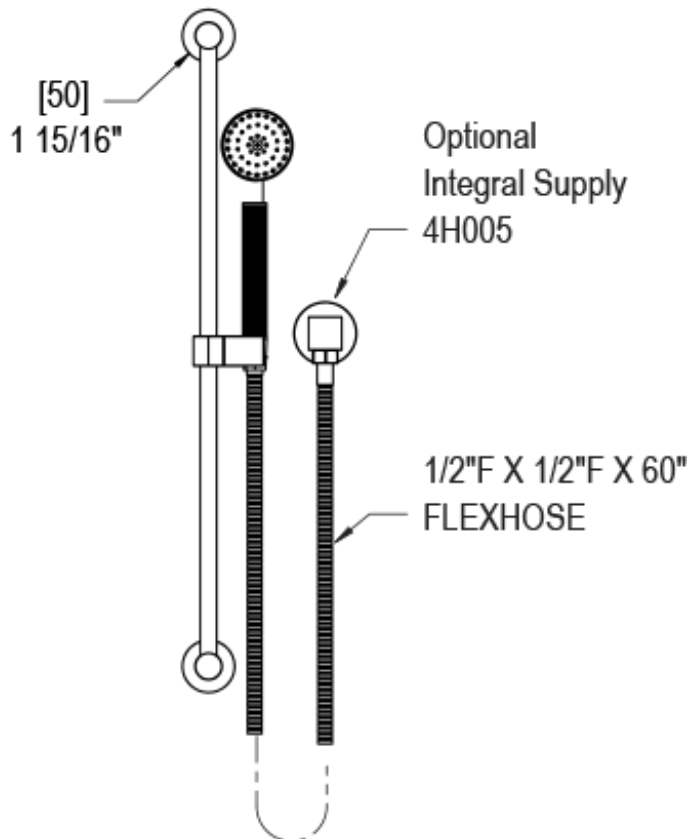
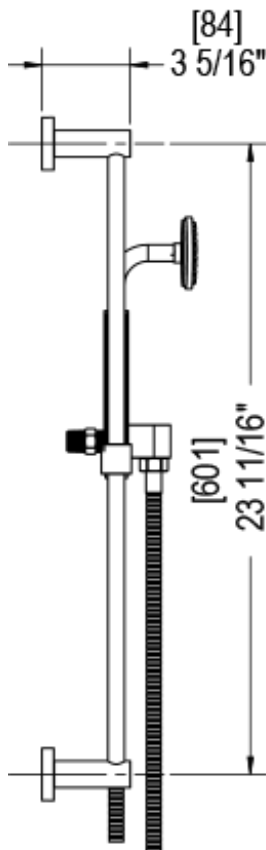


3 FUNCTION SHOWER HEAD WITH 8" SHOWER ARM & FLANGE





ADJUSTABLE SLIDE BAR WITH HAND HELD SHOWER ASSEMBLY SINGLE FUNCTION





VOLUME CONTROL VALVE

