

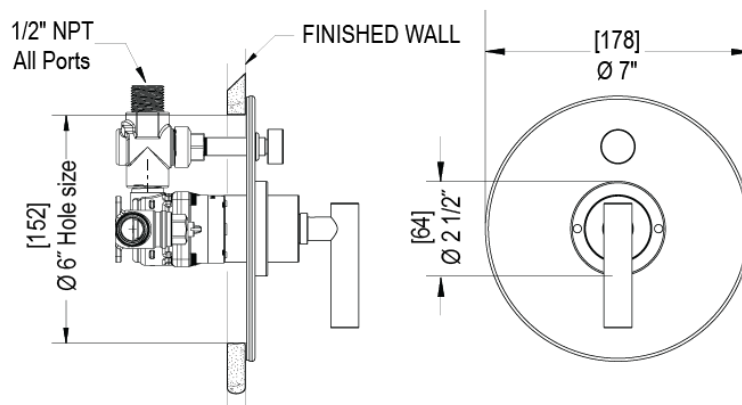
T212GNCCHCH

Specifications



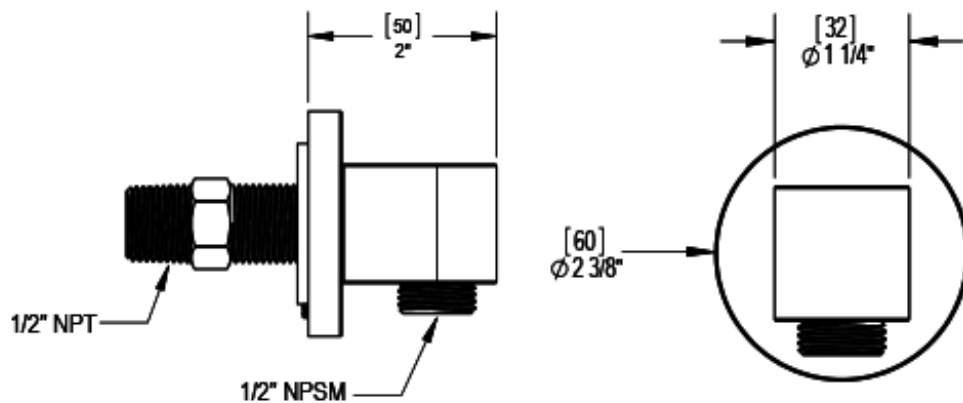


PRESSURE BALANCE SHOWER VALVE WITH STOPS & TWO WAY DIVERTER



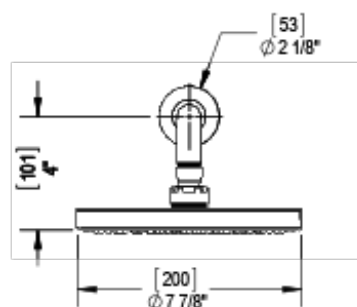
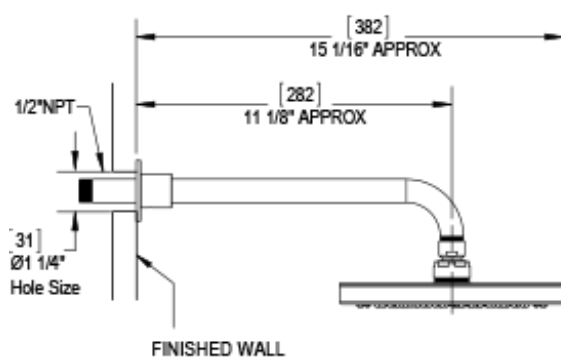


INTEGRAL SUPPLY WITH 1/2" NPT X 1/2" NPSM X 3" NIPPLE





8" SHOWER HEAD WITH WALL MOUNT 16" SHOWER ARM & FLANGE





ADJUSTABLE SLIDE BAR WITH HAND HELD SHOWER ASSEMBLY

