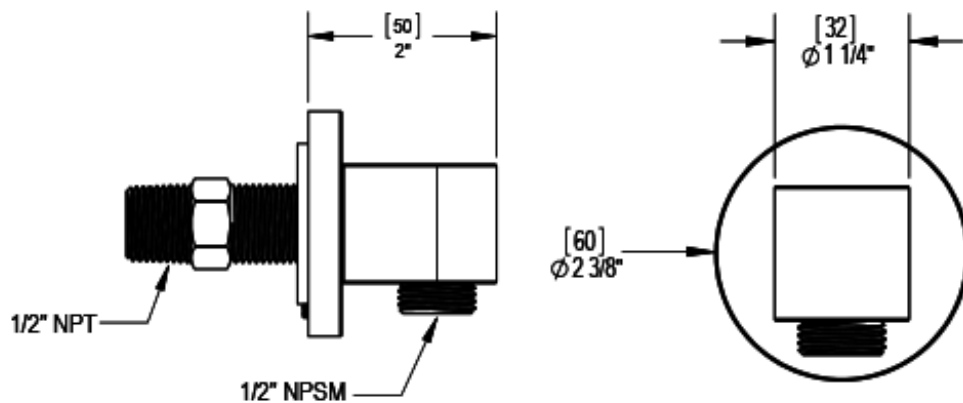


213NVLABMABM Specifications



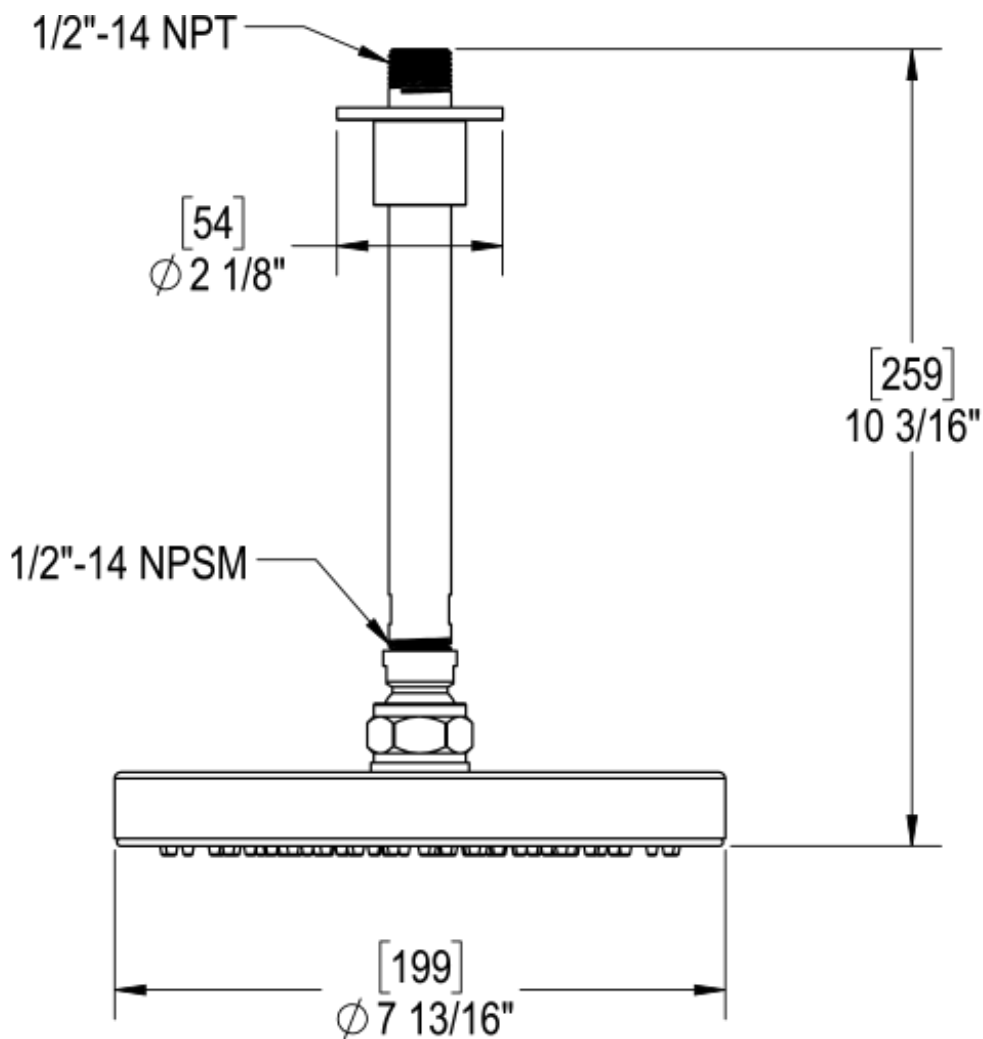


INTEGRAL SUPPLY WITH 1/2" NPT X 1/2" NPSM X 3" NIPPLE



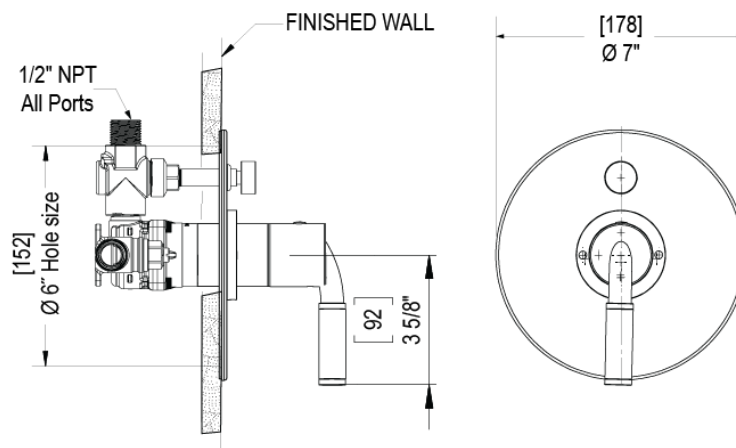


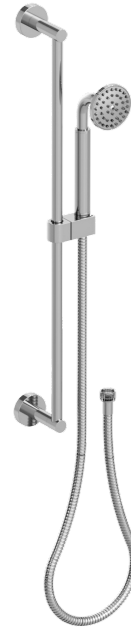
8" SHOWER HEAD WITH CEILING MOUNT 8" SHOWER ARM FLANGE





PRESSURE BALANCE SHOWER VALVE WITH STOPS & TWO WAY DIVERTER





ADJUSTABLE SLIDE BAR WITH HAND HELD SHOWER ASSEMBLY SINGLE FUNCTION

