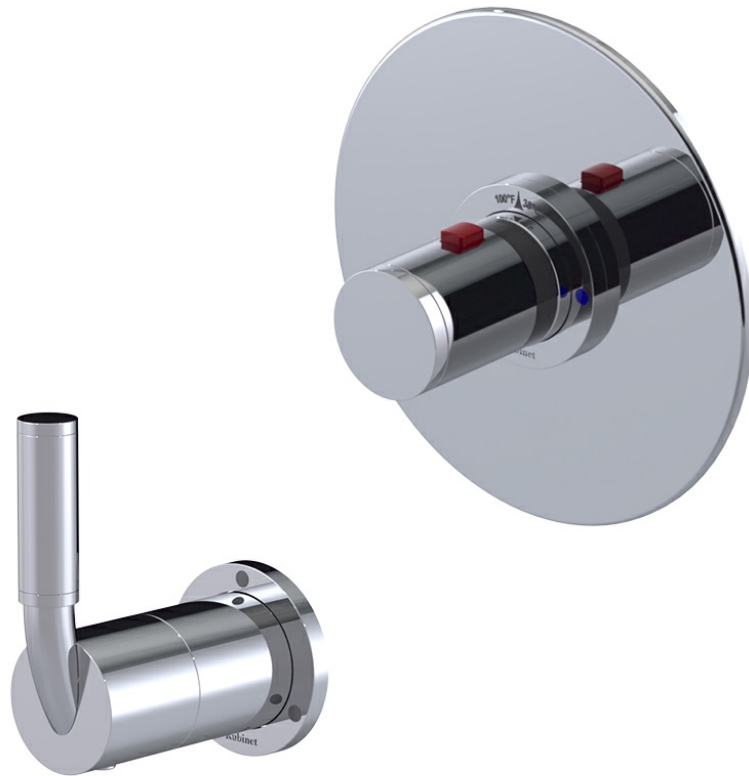
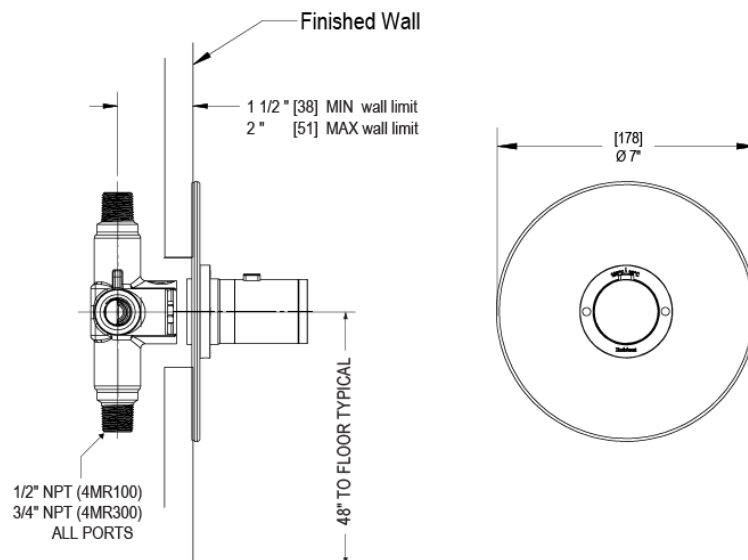
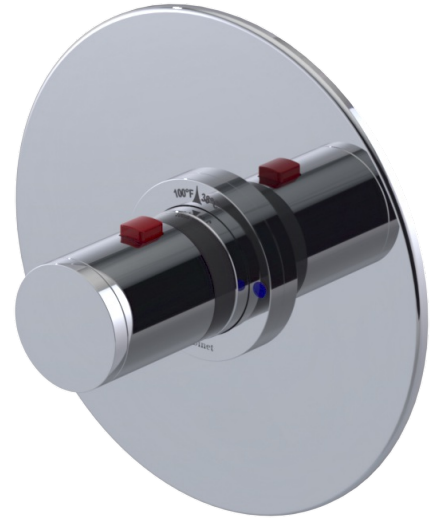


T2SNVRCHCH Specifications







THREE WAY DIVERTER WITH SHUT-OFFS IN BETWEEN FUNCTIONS

