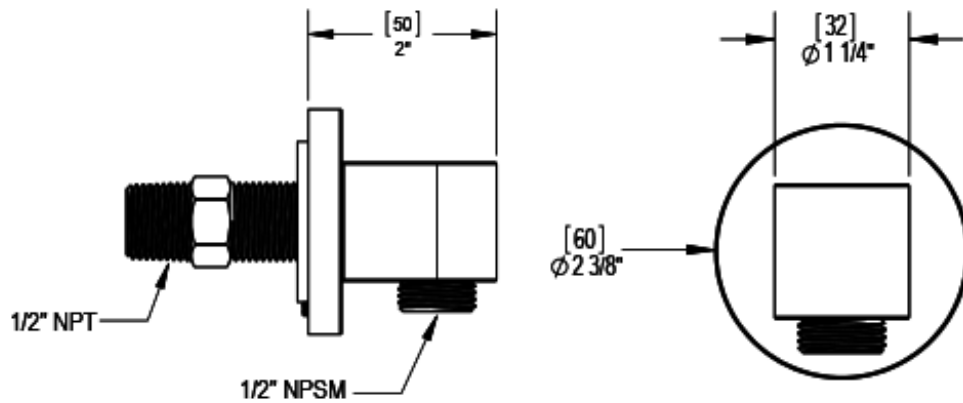


233NVLABMABM Specifications



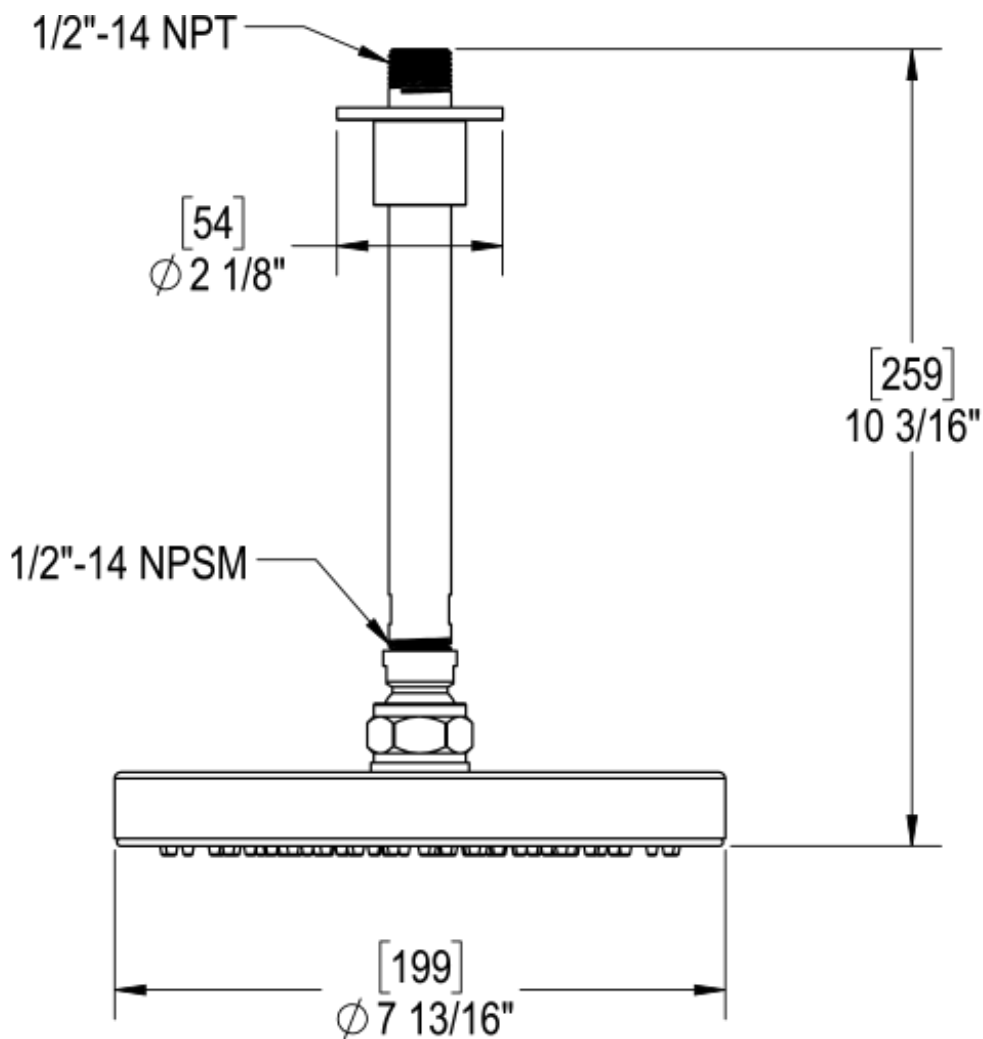


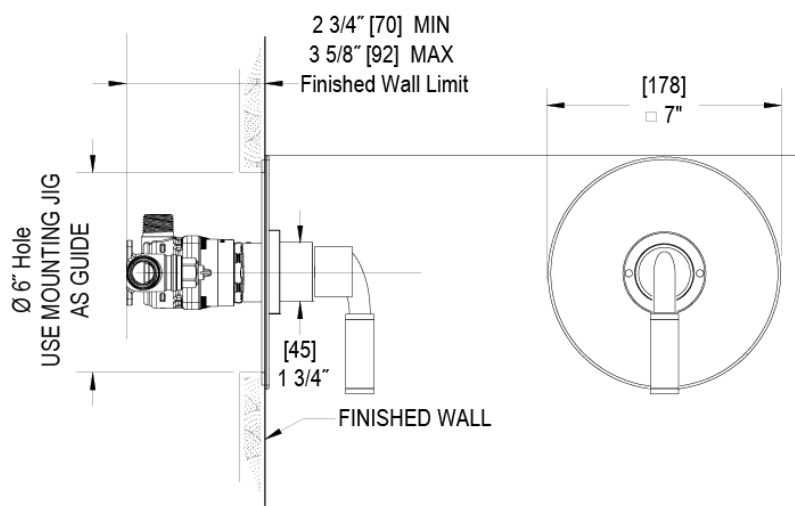
INTEGRAL SUPPLY WITH 1/2" NPT X 1/2" NPSM X 3" NIPPLE





8" SHOWER HEAD WITH CEILING MOUNT 8" SHOWER ARM FLANGE

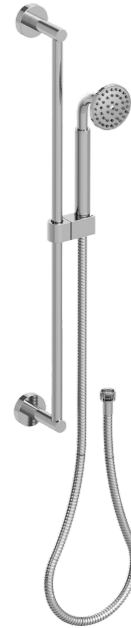




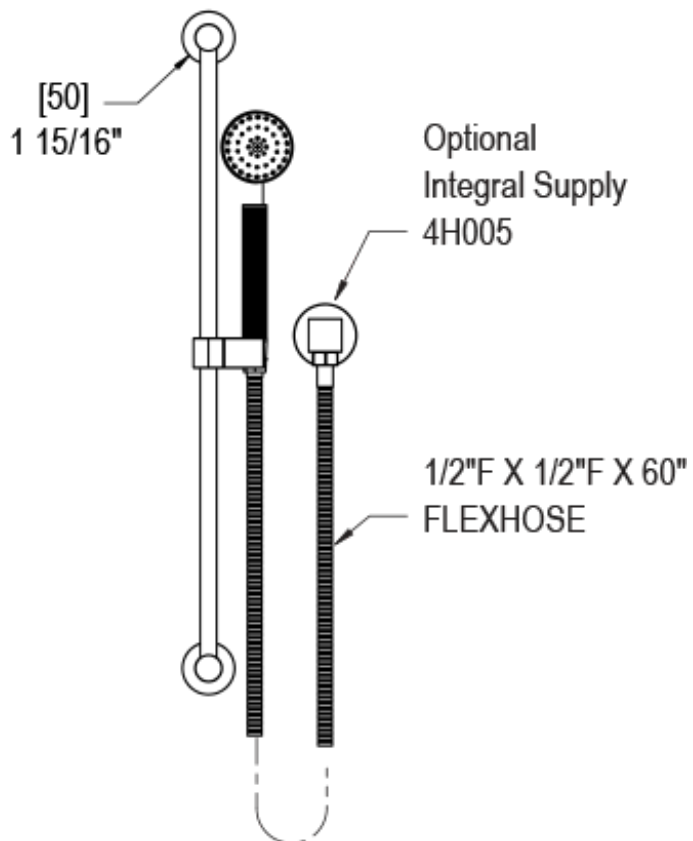
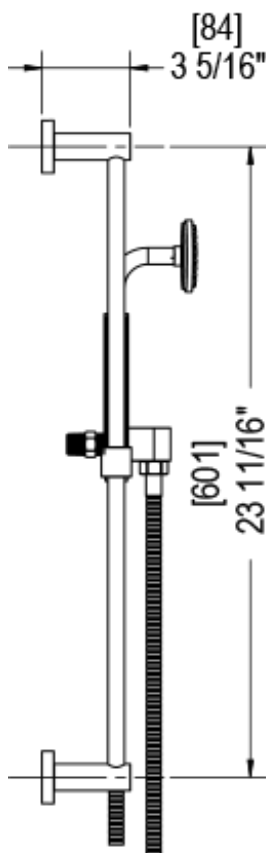


THREE WAY DIVERTER VALVE WITH SHARED OUTLETS IN BETWEEN FUNCTIONS

No Dimensions Image



ADJUSTABLE SLIDE BAR WITH HAND HELD SHOWER ASSEMBLY SINGLE FUNCTION





WALL MOUNT TUB SPOUT. 1/2" SLIP FIT

