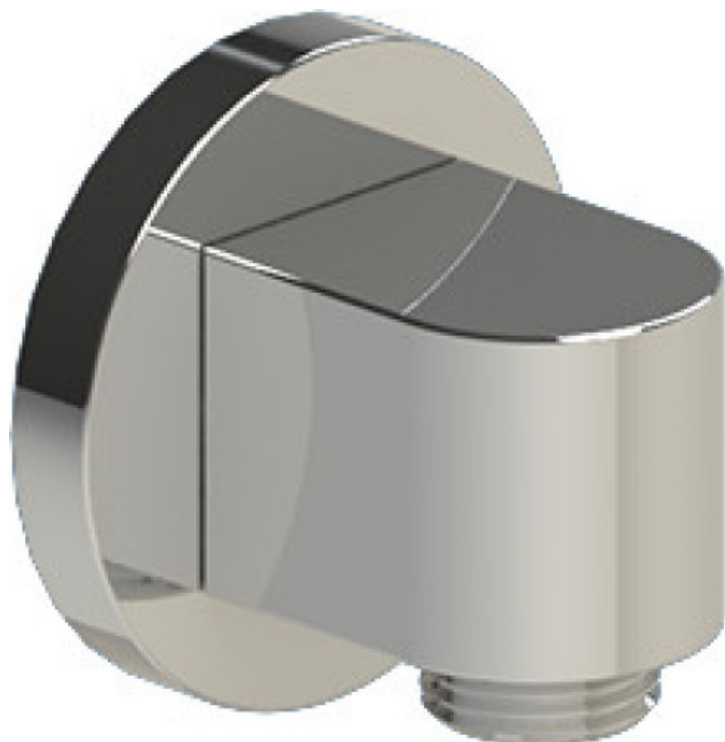
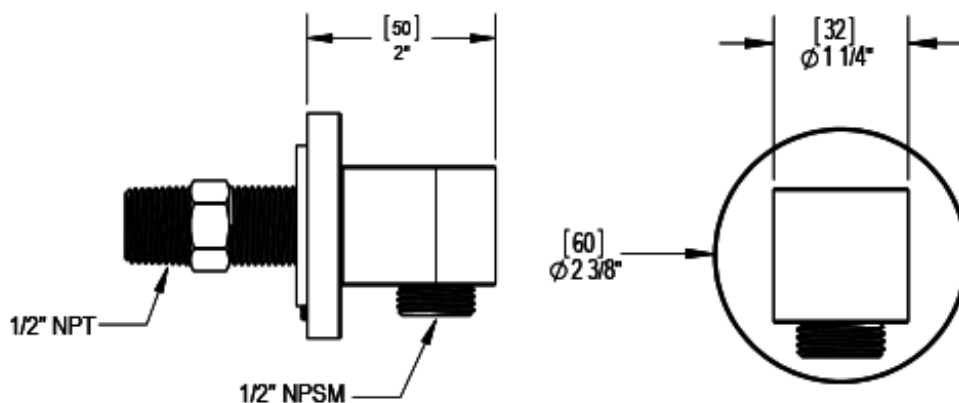


T23NVLCHCH Specifications



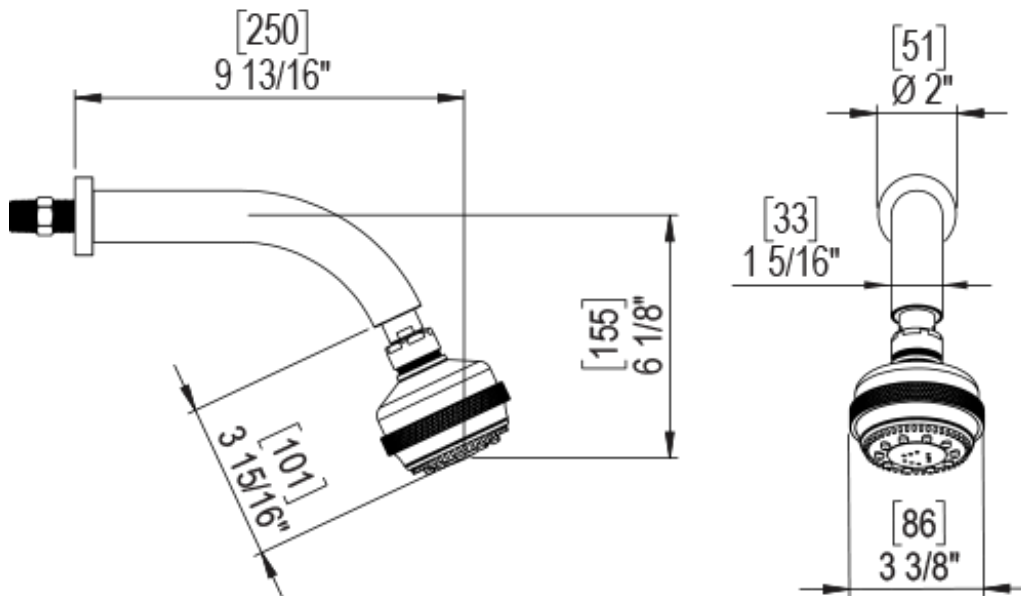


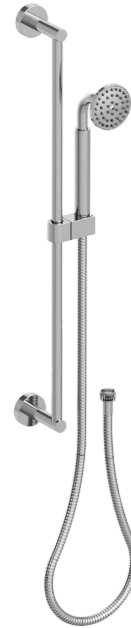
INTEGRAL SUPPLY WITH 1/2" NPT X 1/2" NPSM X 3" NIPPLE



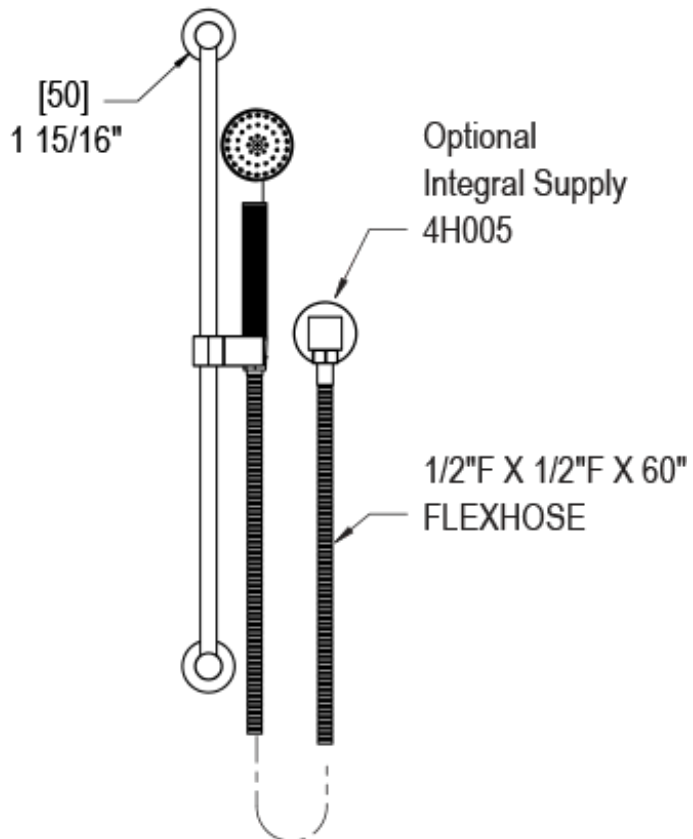
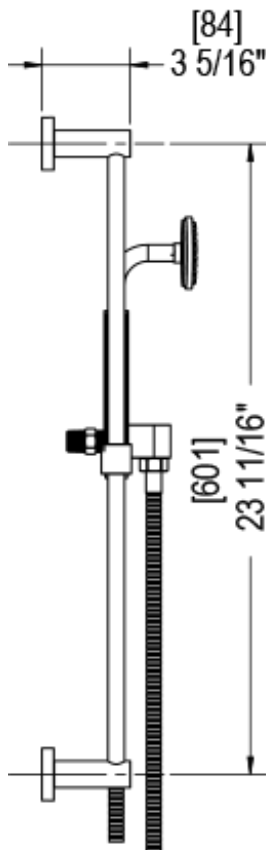


3 FUNCTION SHOWER HEAD WITH 8" SHOWER ARM & FLANGE





ADJUSTABLE SLIDE BAR WITH HAND HELD SHOWER ASSEMBLY SINGLE FUNCTION





THREE WAY DIVERTER WITH SHUT-OFFS IN BETWEEN FUNCTIONS

