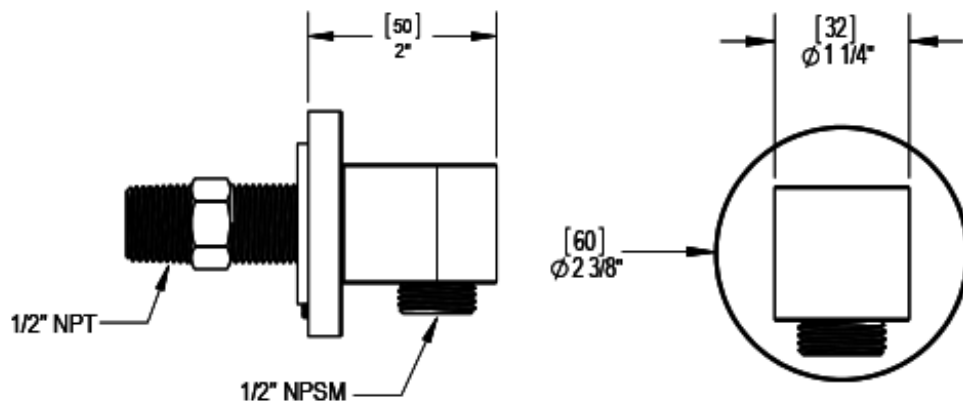


232NVLABMABM Specifications



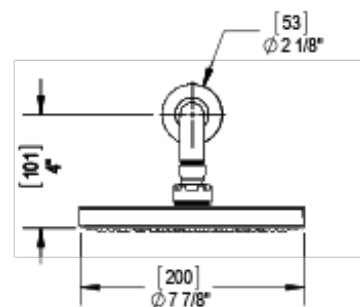
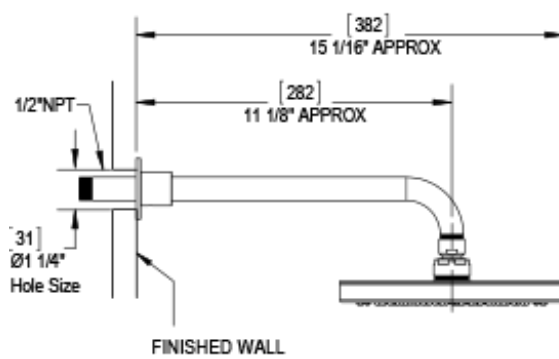


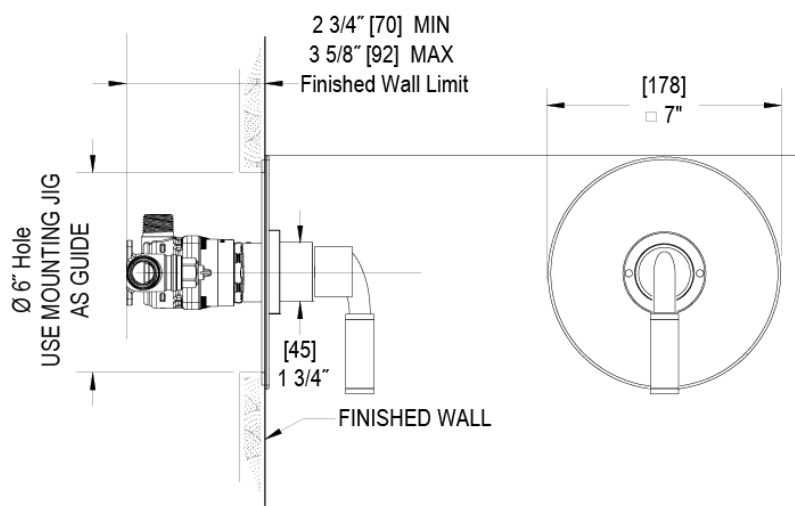
INTEGRAL SUPPLY WITH 1/2" NPT X 1/2" NPSM X 3" NIPPLE





8" SHOWER HEAD WITH WALL MOUNT 16" SHOWER ARM & FLANGE

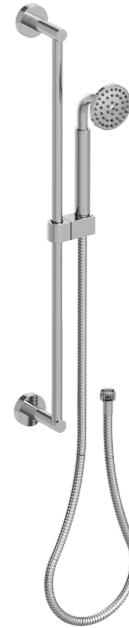




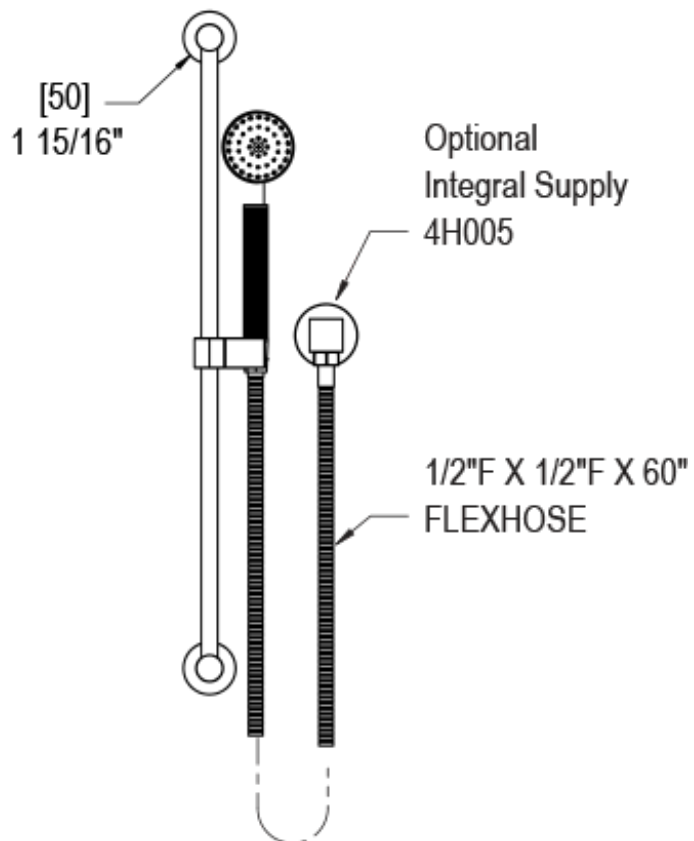
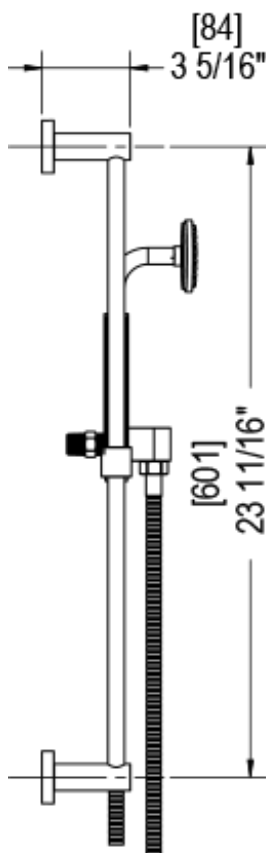


THREE WAY DIVERTER VALVE WITH SHARED OUTLETS IN BETWEEN FUNCTIONS

No Dimensions Image



ADJUSTABLE SLIDE BAR WITH HAND HELD SHOWER ASSEMBLY SINGLE FUNCTION





WALL MOUNT TUB SPOUT. 1/2" SLIP FIT

