

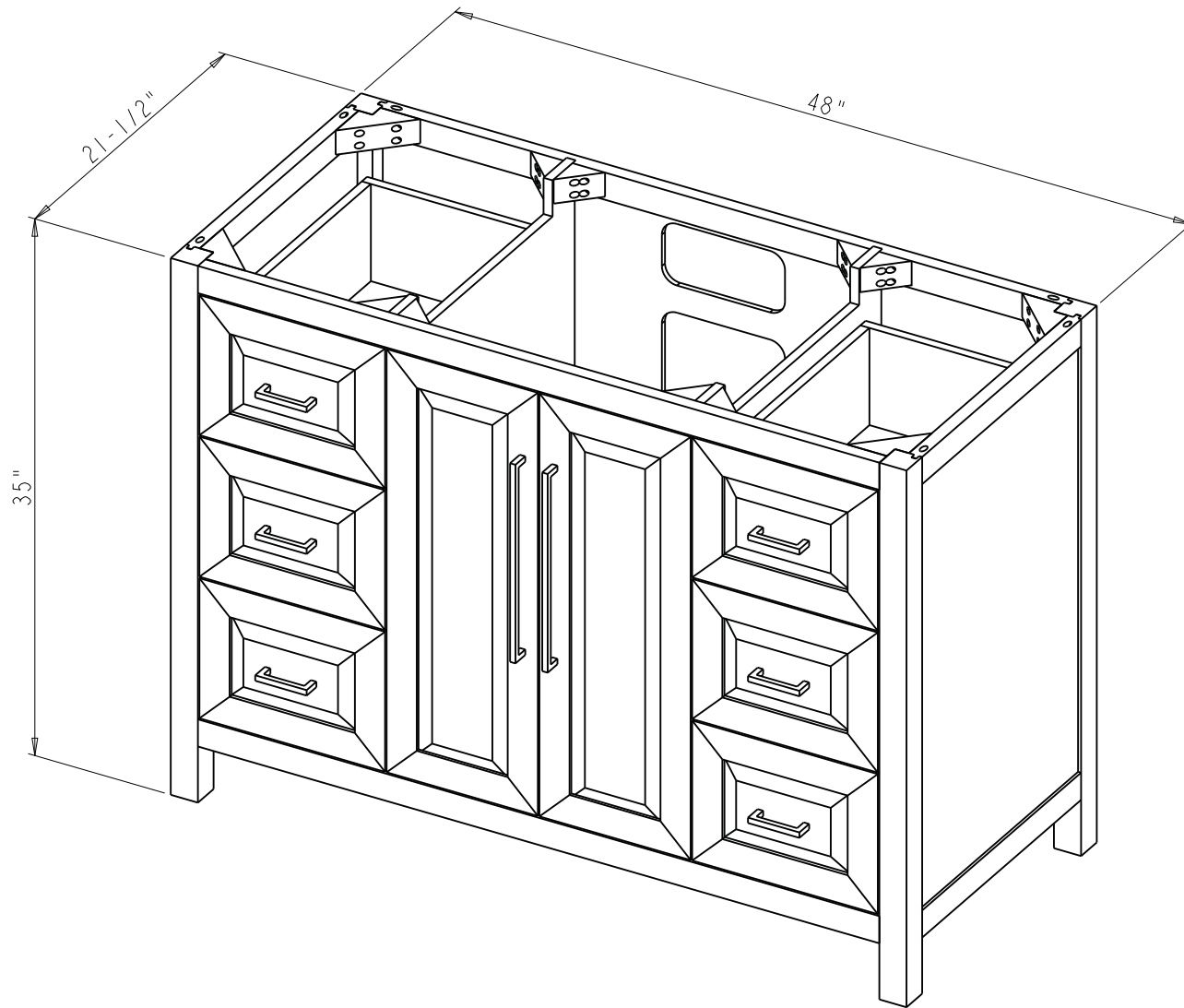
Adjustable-Shelf


Specification:

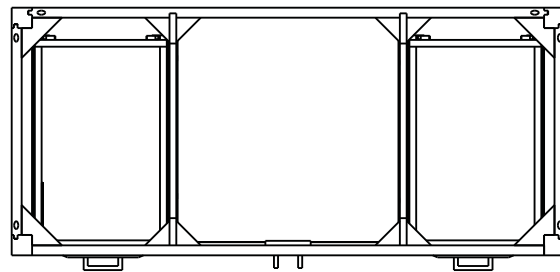
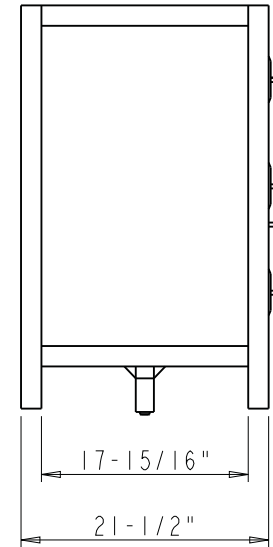
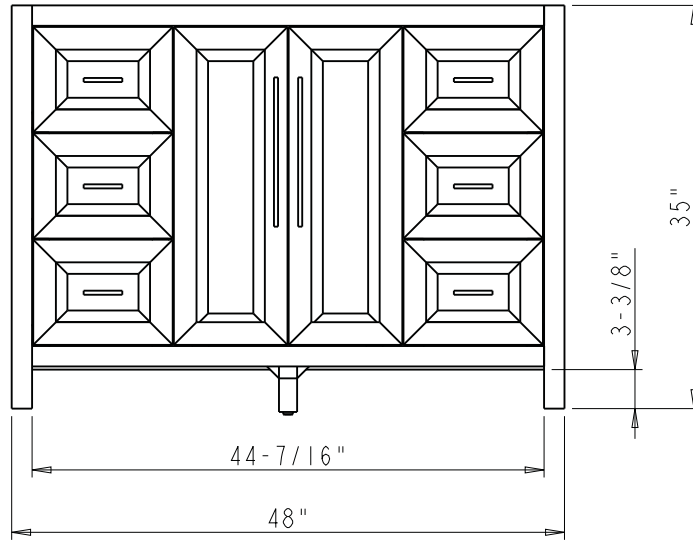
1. Material: MDF + Plywood + Birch
2. Finish: See Table
3. Hardware: See Table
4. Slides: USE58-300-18 + US-CLIP-4W ( 7 Sets )
5. Hinge: 700.0536.25 + 600.1234.05 ( 4 Sets )
6. Shelf Supports: 1707 ( 4 PCS )
7. The tolerance is +/- 1/8"

Item number	Finish	Deco Hardware			
		Item number	Qty	Item number	Qty
VN2CAD-48-BK-NT	Black	625-320PC	2	625-3PC	6
VN2CAD-48-GR-NT	Grey	625-320PC	2	625-3PC	6
VN2CAD-48-WH-NT	White	625-320PC	2	625-3PC	6
VN2CAD-48-BL-NT	Blue	625-320SBZ	2	625-3SBZ	6

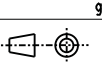
<p><b>PROPRIETARY AND CONFIDENTIAL</b></p> <p>THE INFORMATION CONTAINED IN THIS DRAWING IS THE SOLE PROPERTY OF HARDWARE RESOURCES INC. ANY REPRODUCTION IN PART OR AS A WHOLE WITHOUT THE WRITTEN PERMISSION OF HARDWARE RESOURCES INC. IS PROHIBITED.</p> <p>DO NOT SCALE DRAWING</p>	ITEM:	VN2CAD-48		MATERIAL:
	FINISH:			WEIGHT:
	TOLERANCE UNLESS OTHERWISE SPECIFIED:	UNITS:	DRAWN BY:	DATE:
	X ±0.20 X.X ±0.10 X.XX ±0.05 ANGULAR: ±0.5°	HUGO.CAI Mar-16-20	APPROVED BY:	DATE:
	SHEET:	RELEASE LEVEL:	REVISION:	



 <p><b>PROPRIETARY AND CONFIDENTIAL</b></p> <p>THE INFORMATION CONTAINED IN THIS DRAWING IS THE SOLE PROPERTY OF HARDWARE RESOURCES INC. ANY REPRODUCTION IN PART OR AS A WHOLE WITHOUT THE WRITTEN PERMISSION OF HARDWARE RESOURCES INC. IS PROHIBITED.</p>	ITEM#: VN2CAD - 48		MATERIAL:		
	FINISH:		WEIGHT: 9		
	TOLERANCE UNLESS OTHERWISE SPECIFIED: X ±0.20 X.X ±0.10 X.XX ±0.05 ANGULAR: ±0.5°		UNITS:	DRAWN BY: <i>Hugo.cai</i>	DATE: Mar - 16 - 20
	DO NOT SCALE DRAWING		SIZE:	APPROVED BY:	DATE:
		SHEET:	RELEASE LEVEL:	REVISION:	



	ITEM#: VN2CAD - 48		MATERIAL:		
	FINISH:		WEIGHT:		
<p><b>PROPRIETARY AND CONFIDENTIAL</b></p> <p>THE INFORMATION CONTAINED IN THIS DRAWING IS THE SOLE PROPERTY OF HARDWARE RESOURCES INC. ANY REPRODUCTION IN PART OR AS A WHOLE WITHOUT THE WRITTEN PERMISSION OF HARDWARE RESOURCES INC. IS PROHIBITED.</p>	UNITS:		DRAWN BY:		DATE:
	TOLERANCE UNLESS OTHERWISE SPECIFIED:		APPROVED BY:		DATE:
	SIZE:		RELEASE LEVEL:		REVISION:
	ANGULAR: ±0.5°		SHEET:		DO NOT SCALE DRAWING



*Hugo.cai* Mar - 16 - 20