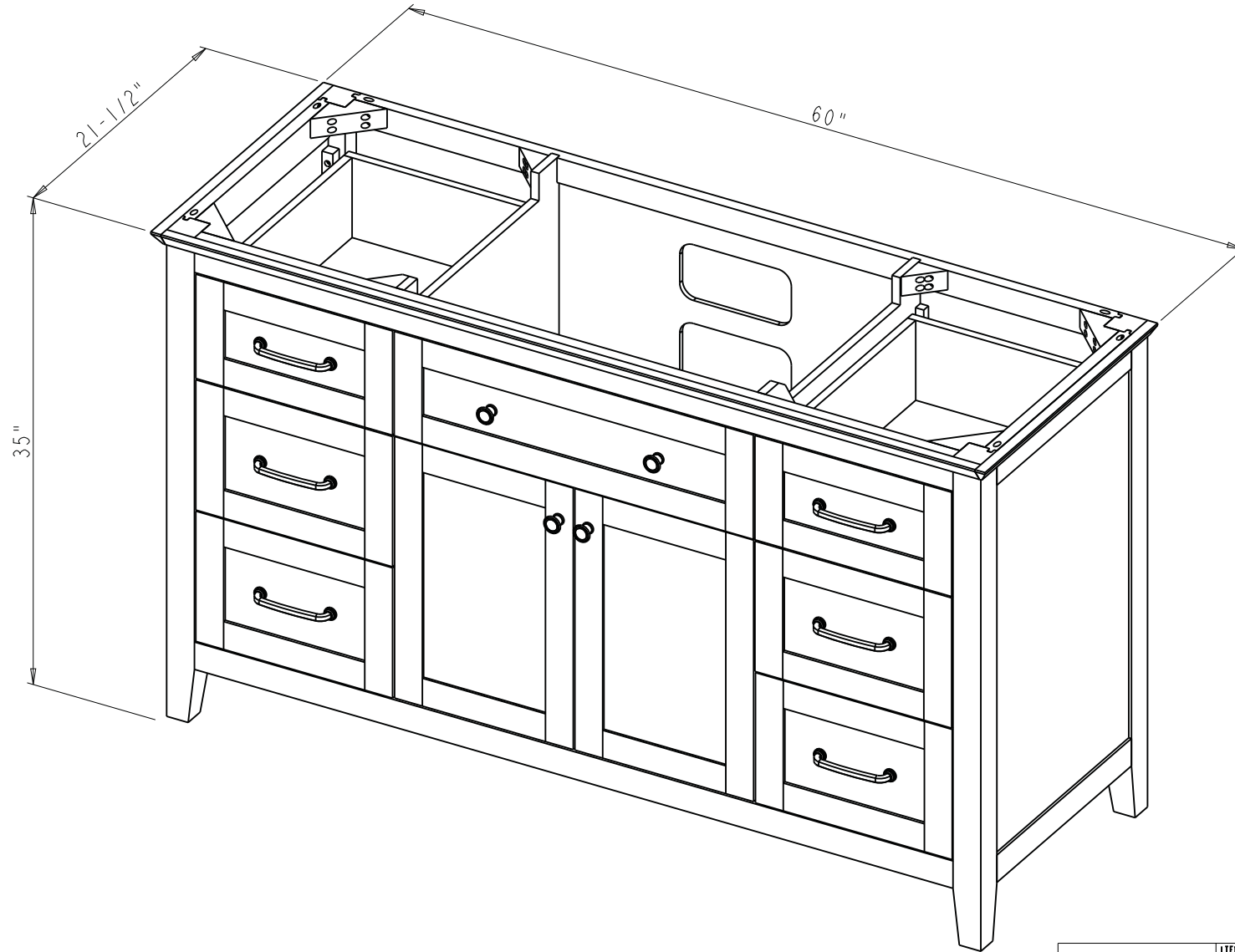



Specification:

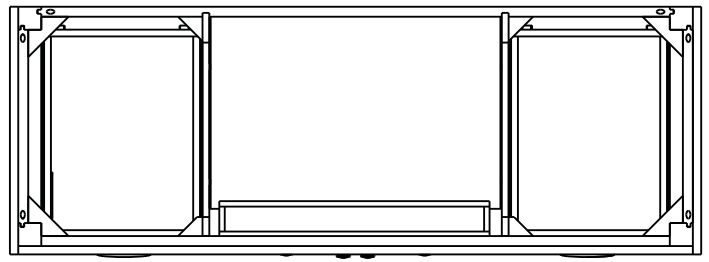
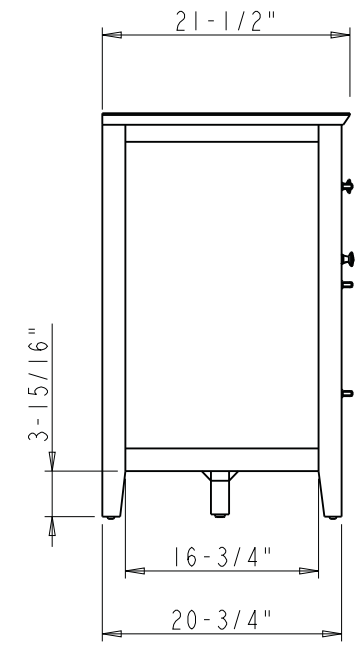
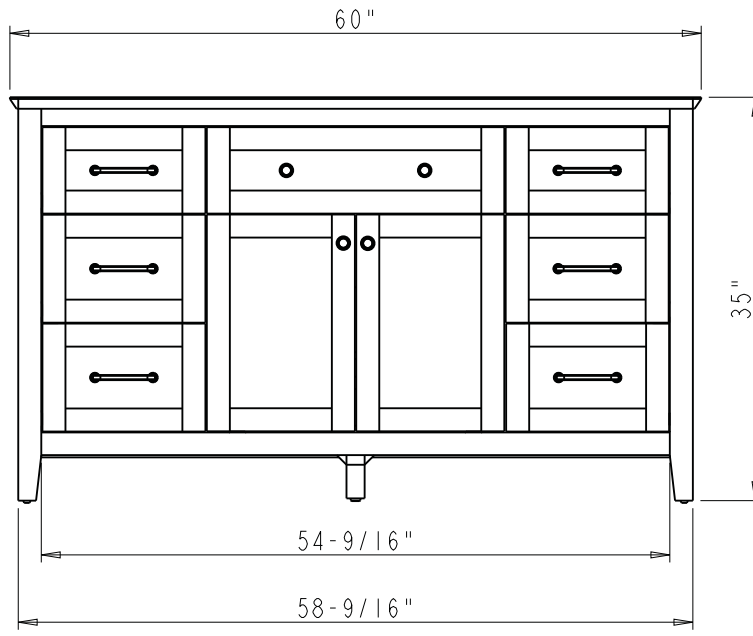
1. Material: Plywood + Birch
2. Finish: See Table
3. Hardware: See Table
4. Slides: USE58-300-18 + US-CLIP-4W (7 Sets)
5. Shelf Supports: 1707BN (4 PCS)
6. Drawer Boxes: 5/8" Rubber wood
Clear color
Dovetail
7. Hinge: 700.0536.25 + 600.1234.05 (6 Sets)
8. Lid Stay (1 PC)
9. The tolerance is +/- 1/8"

Item number	Finish	Deco Hardware			
		Item number	Qty	Item number	Qty
VN2CHA-60SCH-NT	Chocolate	527-128SN	6	Z110-SN	4
VN2CHA-60SGR-NT	Grey	527-128SN	6	Z110-SN	4
VN2CHA-60SWH-NT	White	527-128SN	6	Z110-SN	4

<p>hardware resources</p> <p><small>PROPRIETARY AND CONFIDENTIAL</small></p> <p><small>THE INFORMATION CONTAINED IN THIS DRAWING IS THE SOLE PROPERTY OF HARDWARE RESOURCES INC. ANY REPRODUCTION IN PART OR AS A WHOLE WITHOUT THE WRITTEN PERMISSION OF HARDWARE RESOURCES INC. IS PROHIBITED.</small></p>	ITEM#: VN2CHA-60S		MATERIAL:		
	FINISH:		WEIGHT: 0 g		
	TOLERANCE UNLESS OTHERWISE SPECIFIED: X ±0.20 X.X ±0.10 X.XX ±0.05 ANGULAR: ±0.5°		UNITS:	DRAWN BY: Hugo.cai	DATE: Mar-12-20
	DO NOT SCALE DRAWING		SIZE:	APPROVED BY:	DATE:
		SHEET:	RELEASE LEVEL:	REVISION:	



 <p>PROPRIETARY AND CONFIDENTIAL</p> <p>THE INFORMATION CONTAINED IN THIS DRAWING IS THE SOLE PROPERTY OF HARDWARE RESOURCES INC. ANY REPRODUCTION IN PART OR AS A WHOLE WITHOUT THE WRITTEN PERMISSION OF HARDWARE RESOURCES INC. IS PROHIBITED.</p> <p>DO NOT SCALE DRAWING</p>	ITEM#: VN2CHA-60S		MATERIAL:		
	FINISH:		WEIGHT: 0 g		
	TOLERANCE UNLESS OTHERWISE SPECIFIED: X ±0.20 X.X ±0.10 X.XX ±0.05 ANGULAR: ±0.5°		UNITS:	DRAWN BY: <i>Hugo.cai</i>	DATE: Mar-12-20
	SHEET:		APPROVED BY:	DATE:	REVISION:
		RELEASE LEVEL:			



<p>hardware resources</p> <p>PROPRIETARY AND CONFIDENTIAL</p> <p>THE INFORMATION CONTAINED IN THIS DRAWING IS THE SOLE PROPERTY OF HARDWARE RESOURCES INC. ANY REPRODUCTION IN PART OR AS A WHOLE WITHOUT THE WRITTEN PERMISSION OF HARDWARE RESOURCES INC. IS PROHIBITED.</p> <p>DO NOT SCALE DRAWING</p>	ITEM#: VN2CHA-60S		MATERIAL:		
	FINISH:		WEIGHT: 0 g		
	TOLERANCE UNLESS OTHERWISE SPECIFIED: X ±0.20 X.X ±0.10 X.XX ±0.05 ANGULAR: ±0.5°		UNITS:		DATE: Mar-12-20
	DRAWN BY: <i>Hugo.cai</i>		APPROVED BY:		DATE:
SHEET:		RELEASE LEVEL:		REVISION:	