
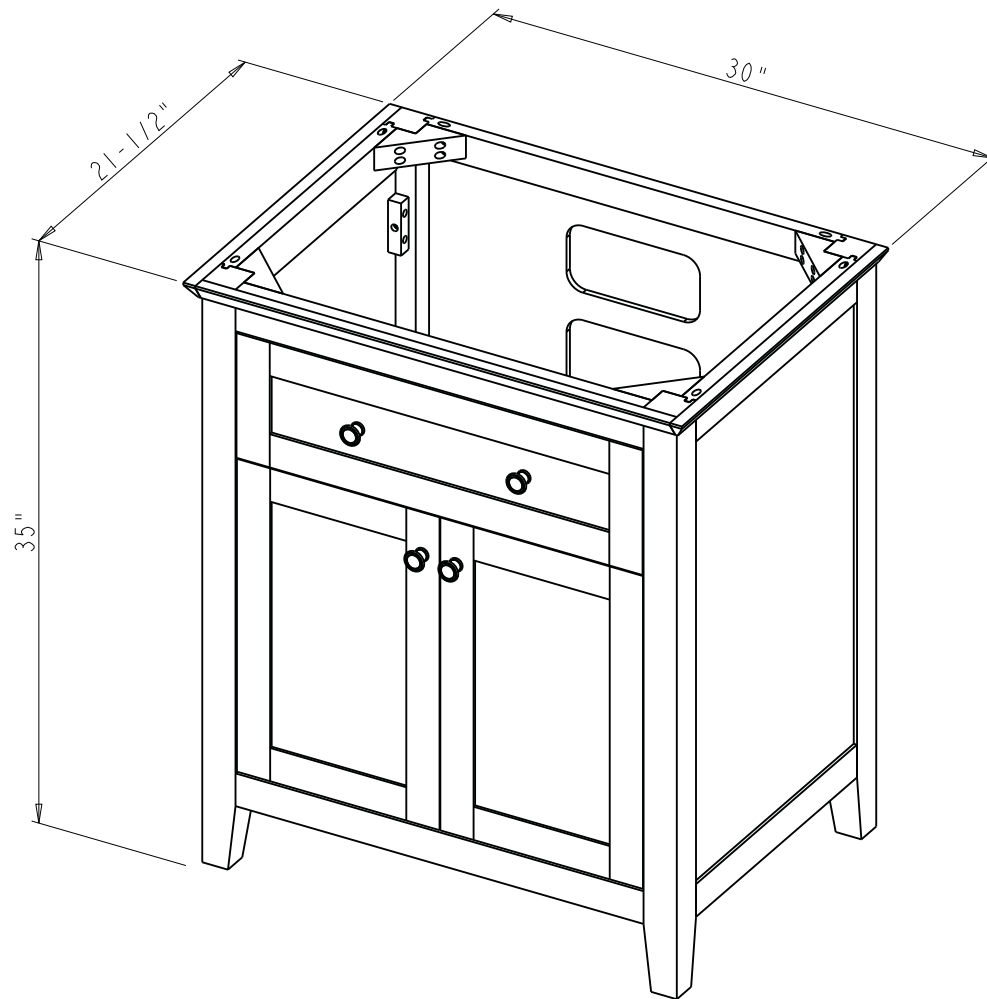



Specification:

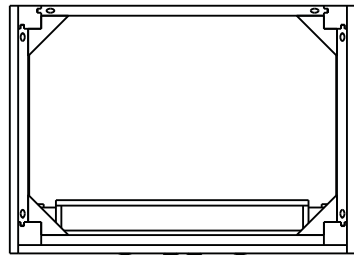
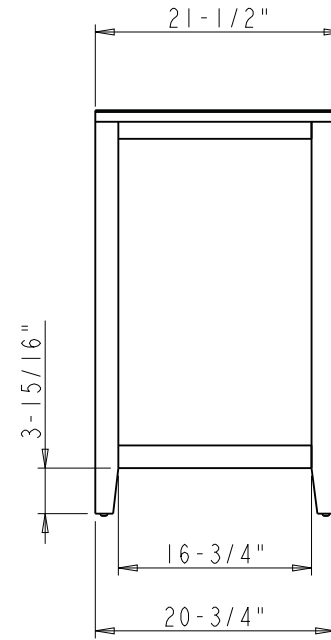
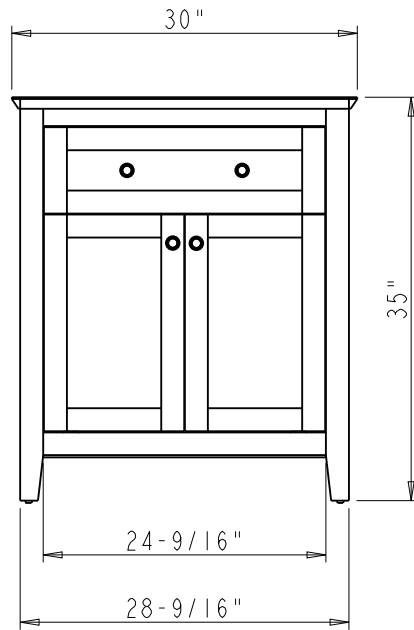
1. Material: Plywood + Birch
2. Finish: See Table
3. Hardware: See Table
4. Slides: USE58-300-18 + US-CLIP-4W (1 Sets)
5. Shelf Supports: 1707BN (4 PCS)
6. Drawer Boxes: 5/8" Rubber wood
Clear color
Dovetail
7. Tipout Hinge: 700.0536.25 + 600.1234.05 (2 Sets)
Door Hinge: 700.0537.25 + 600.1234.05 (4 Sets)
8. Lid Stay (1 PC)
9. The tolerance is +/- 1/8"

| Item number | Finish | Deco Hardware | |
|-----------------|-----------|---------------|-----|
| | | Item number | Qty |
| VN2CHA-30-BL-NT | Blue | 658SBZ | 4 |
| VN2CHA-30-CH-NT | Chocolate | Z110-SN | 4 |
| VN2CHA-30-GR-NT | Grey | Z110-SN | 4 |
| VN2CHA-30-WH-NT | White | Z110-SN | 4 |
| VN2CHA-30-GN-NT | Green | 658SBZ | 4 |

| | | | |
|---|---|--------------------------------|-----------------|
|  <p>PROPRIETARY AND CONFIDENTIAL</p> <p>THE INFORMATION CONTAINED IN THIS DRAWING IS THE SOLE PROPERTY OF HARDWARE RESOURCES INC. ANY REPRODUCTION IN PART OR AS A WHOLE WITHOUT THE WRITTEN PERMISSION OF HARDWARE RESOURCES INC. IS PROHIBITED.</p> <p>DO NOT SCALE DRAWING</p> | ITEM#: VN2CHA-30 | MATERIAL: | |
| | FINISH: | WEIGHT: 0 g | |
| | TOLERANCE UNLESS OTHERWISE SPECIFIED: X ±0.20 X.X ±0.10 X.XX ±0.05 ANGULAR: ±0.5° | UNITS: | DATE: Aug-09-21 |
| | SIZE: | APPROVED BY: Tony.Huang | DATE: |
| | SHEET: | RELEASE LEVEL: | |
| | | REVISION: | |



| | | | | | |
|---|---|--------|----------------|---------------------------|---------------------|
|  PROPRIETARY AND CONFIDENTIAL THE INFORMATION CONTAINED IN THIS DRAWING IS THE SOLE PROPERTY OF HARDWARE RESOURCES INC. ANY REPRODUCTION IN PART OR AS A WHOLE WITHOUT THE WRITTEN PERMISSION OF HARDWARE RESOURCES INC. IS PROHIBITED. | ITEM#: VN2CHA - 30 | | MATERIAL: | | |
| | FINISH: | | WEIGHT: 0 g | | |
| | TOLERANCE UNLESS OTHERWISE SPECIFIED: X ±0.20 X.X ±0.10 X.XX ±0.05 ANGULAR: ±0.5° | | UNITS: | DRAWN BY: <i>Hugo.cai</i> | DATE: Mar - 12 - 20 |
| | DO NOT SCALE DRAWING | | SIZE: | APPROVED BY: | DATE: |
| | | SHEET: | RELEASE LEVEL: | REVISION: | |



| | | | | | |
|---|---------------------------------------|--|-----------------|---------------------------|-----------|
| | ITEM#: VN2CHA-30 | | MATERIAL: | | |
| | FINISH: | | WEIGHT: 0 g | | |
| <p>PROPRIETARY AND CONFIDENTIAL</p> <p>THE INFORMATION CONTAINED IN THIS DRAWING IS THE SOLE PROPERTY OF HARDWARE RESOURCES INC. ANY REPRODUCTION IN PART OR AS A WHOLE WITHOUT THE WRITTEN PERMISSION OF HARDWARE RESOURCES INC. IS PROHIBITED.</p> <p>DO NOT SCALE DRAWING</p> | PROJECTION | | DATE: Mar-12-20 | | |
| | TOLERANCE UNLESS OTHERWISE SPECIFIED: | | UNITS: | DRAWN BY: <i>Hugo.cai</i> | DATE: |
| | SIZE: | | APPROVED BY: | DATE: | |
| | ANGULAR: ±0.5° | | SHEET: | RELEASE LEVEL: | REVISION: |