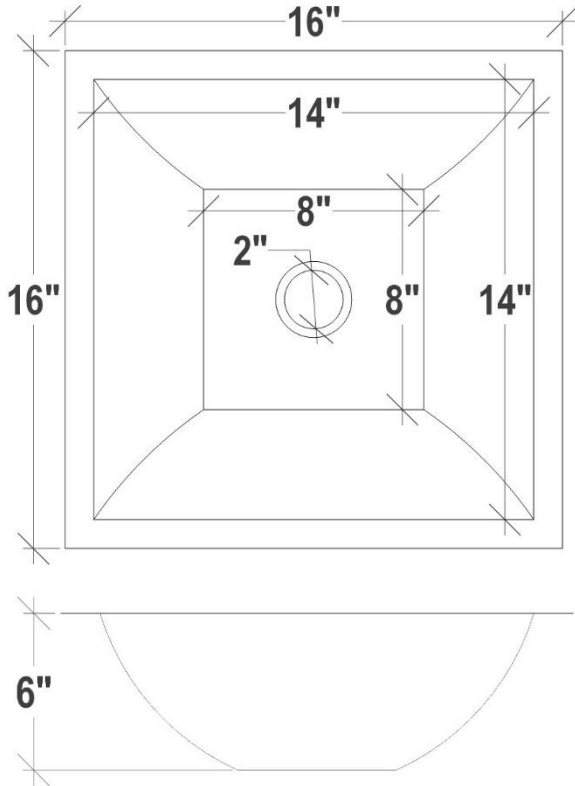
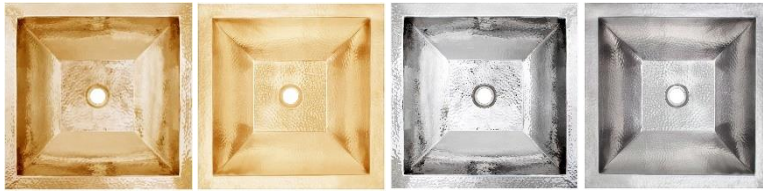


Shown in PB



## BLD113-2

Builder's Series Square Hammered Coco Sink

### DETAILS

Installation Type: Drop-In or Undermount

Stamped Metal, Hand-hammered

Each sink is hand-crafted; no two sinks will be the same

No Overflow

2" Drain Opening

### AVAILABLE FINISHES

<b>PB</b>	Polished Unlacquered Brass
<b>UB</b>	Satin Unlacquered Brass
<b>PS</b>	Polished Stainless Steel
<b>SS</b>	Satin Stainless Steel

### AVAILABLE DRAINS

<b>D001</b>	Bar Drain with Basket
-------------	-----------------------

### INSTALLATION

Cuts in countertop are up to the discretion of the installer. Use 100% silicone to adhere sink to countertop. Clean any excess silicone from the sink surface to avoid damaging the finish. Clips may be used for installation (not provided by Linkasink). A conversion kit for drain installation is provided with each sink with 1.5" drain opening.

### CARE

This sink has a living finish (excluding stainless steel) which will change with time and use. Use mild soap and water for everyday cleaning. Avoid any harsh abrasives and chemicals, acidic cleaning products, and antibacterial hand soap. A paste wax may be applied periodically to protect the finish and help with water spotting.

### WARRANTY

Linkasink warranties our product to be free from manufacturing defect for the life of the product. Warranty does not cover improper care, neglect or abuse.

### DIMENSIONS WILL VARY

**DO NOT** use this sheet as a guide for countertop cuts. Due to the handmade nature of each product, templates are not provided.