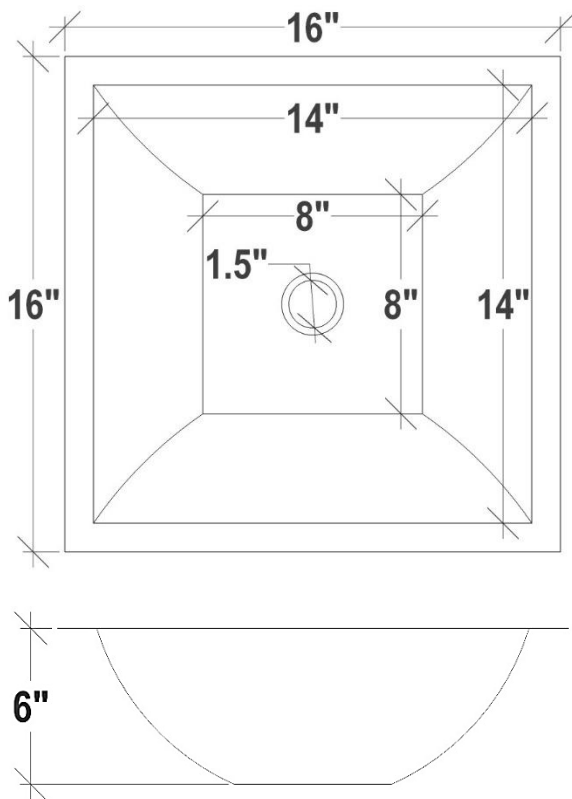




Shown in PS finish



BLD112

Builder's Series Square Smooth Coco Sink

DETAILS

Installation Type: Drop-In or Undermount

Stamped Metal

(Each sink is Hand Crafted; no two sinks will be the same.)

No Overflow

1.5" Drain Opening

AVAILABLE FINISHES

PB	Polished Unlacquered Brass
UB	Satin Unlacquered Brass
PS	Polished Stainless Steel
SS	Satin Stainless Steel

AVAILABLE DRAINS

D004	Grid Strainer
D005	Lift and Turn
D006	Pop-Up with Horizontal Lift Rod
D101 – D720	Decorative Drains
D011 – D017	Decorative Grid Strainers

INSTALLATION

Drain should be installed first. Cuts in countertop are up to the discretion of the installer. Use 100% silicone to adhere sink to countertop. Clean any excess silicone from the sink surface to avoid damaging the finish. Clips may be used for installation (not provided by Linkasink).

A conversion kit for drain installation is provided with each sink with 1.5" drain opening.

CARE

This sink has a living finish (excluding stainless steel) which will change with time and use. Use mild soap and water for everyday cleaning. Avoid any harsh abrasives and chemicals, acidic cleaning products, and antibacterial hand soap. A paste wax may be applied periodically to protect the finish and help with water spotting.

WARRANTY

Linkasink warranties our product to be free from manufacturing defect for the life of the product. Warranty does not cover improper care, neglect or abuse.

DIMENSIONS WILL VARY

DO NOT use this sheet as a guide for countertop cuts. Due to the handmade nature of each product, templates are not provided.