



Features an integrated overflow.

## Boutique Collection Tubs

### Alissa

MODEL #: 197

61.75" x 32.25" x 19.5"/21.5"

#### GENERAL SPECIFICATIONS

**Material** - SculptureStone®

**Installation** - Freestanding

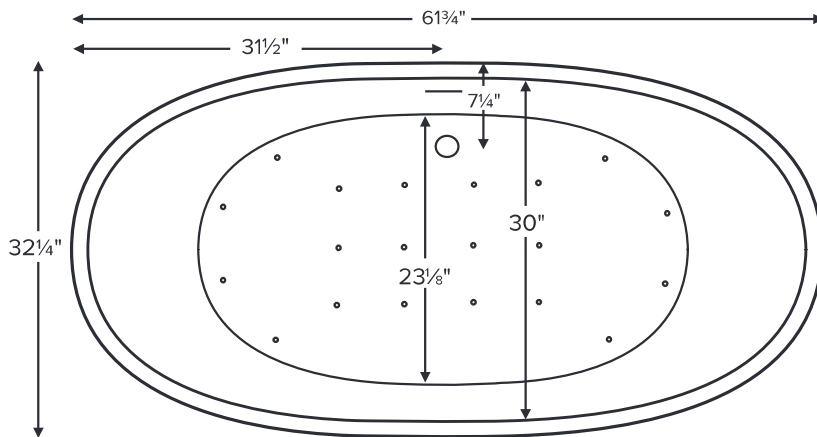
**Soaker Weight** - 205 lbs / 93 kg

**Air Bath Weight** - 240 lbs / 109 kg

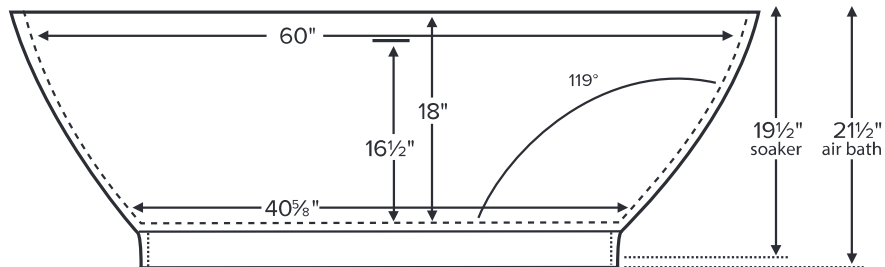
**Maximum Fill** - 74 gal to overflow

May also be undermounted. Must specify on order.  
Not recommended as a tub / shower combination.

*NOTE: Filling this tub to the maximum may require an above average size or dedicated water heater.*



Shown above as an Air Bath.



#### ELECTRICAL COMPONENTS & SPECIFICATIONS

Required Electrical Service - 110 Volt

Hydrotherapy Package	Components Included	GFCI
Air Massage	heated blower	1-15 amp

CSA Certified C/US; ANSI Z124.1 and ANSI 112.19.7

See the Installation & Operation Manual for more details.

MTI's Customer Service: Monday-Friday 8am-6pm EST

800-783-8827 or service@mtibaths.com

#### IMPORTANT ORDERING & INSTALLATION INFORMATION

- Before ordering or installing, please consider future access to equipment.
- Includes an integrated overflow with toe tap drain in chrome finish. May be specified without an overflow (see local codes before ordering without an overflow).
- Air baths require job site preparation for remote installation of the blower and required check valve. Check valve must be installed higher than the rim of the tub.
- Waterproof remote control included with air bath. Keypad shipped loose may be remote mounted on nearby surface/wall.
- Faucet valves cannot be mounted on this tub model.

- Before discarding tub crate, check for accessories that may be packaged inside.
- All product measurements are  $\pm 1/2"$ .
- Specifications and configurations are subject to change without notice.
- Measurements herein supersede all others published prior to publication date below.

CSA # MTCT-197

©2021 by MTI Baths, Inc. Modification Rights Reserved

1 of 2



Rev. 08 24 2021