



Available as a freestanding model or finished on 1, 2 or 3 sides for various installation applications.

## Designer Collection Tubs

**Andrea® 13**  
with Sculpted Finish®  
MODEL # 103A  
65.75" x 41.875" x 25"

### GENERAL SPECIFICATIONS

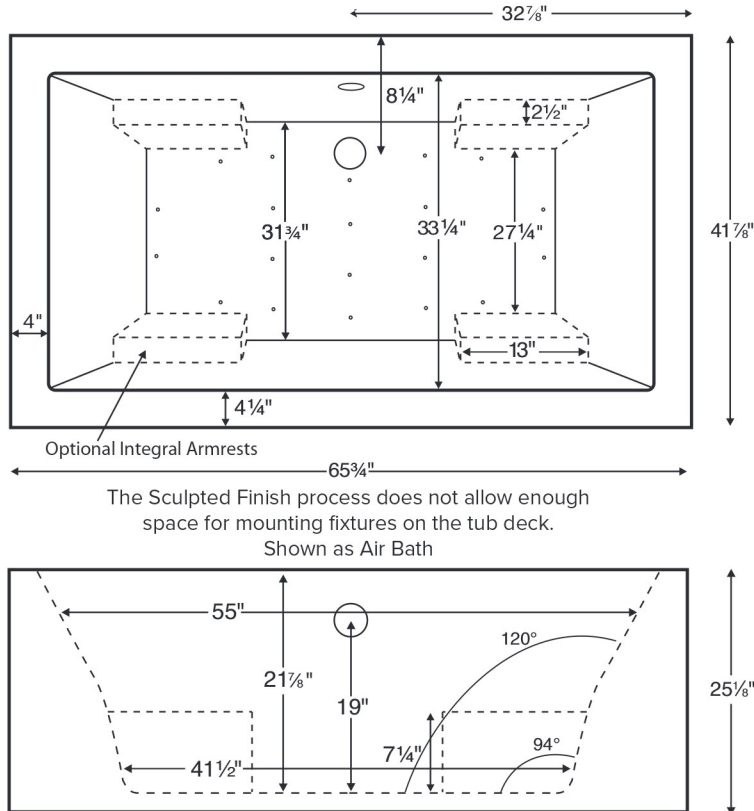
**Material** - Sculpted Finish Acrylic

**Installation** - Freestanding or Alcove

**Soaker Weight** - 160 lbs / 73 kg

**Maximum Fill** - 114 gal to overflow

NOTE: Filling this tub to the maximum may require an above average size or dedicated water heater.



### ELECTRICAL COMPONENTS & SPECIFICATIONS

Hydrotherapy Package	Components Included	GFCI/110V
Microbubbles	Microbubbles pump	1-15 amp
Air Massage	heated blower	1-15 amp
Microbubbles with Air	Microbubbles pump, heated blower	1-20 amp
Air Massage Elite	heated blower, chromatherapy	1-15 amp
Microbubbles with Air Elite	Microbubbles pump, heated blower, chromatherapy	2-15 amp

Electrical requirements may change with the addition of optional therapy components. For more information go to [mtibaths.com](http://mtibaths.com).

CSA Certified C/US; ANSI Z124.1  
CSA Certified C/US; ANSI 112.19.7

### IMPORTANT ORDERING & INSTALLATION INFORMATION

- Before ordering or installing, please consider future access to equipment.
- Unless ordering Sculpted Finish on 4 sides, please include a diagram specifying which sides will need to be finished, along with location of optional tile flange(s).
- Overflow is factory installed for provided toe tap drain.
- When ordering an air bath, the air blower must be remote mounted.
- Microbubbles system components must be installed on a non-Sculpted Finish side. Components will extend beyond the perimeter of the tub. Call MTI for specific details regarding the desired installation before placing the order.
- Radiance placed on floor locations will affect placement of air jets.
- Hydrotherapy equipment may ship loose for remote installation. See package content on the following page for details.
- Faucet valves cannot be installed on this tub model.

See the Installation & Operation Manual for more details.  
MTI's Customer Service: Monday-Friday 8am-6pm EST  
800-783-8827 or [service@mtibaths.com](mailto:service@mtibaths.com)

- Options and accessories may be packaged inside the tub crate. Always check packaging before discarding.
- All product measurements are  $\pm 1/2"$ .
- Specifications and configurations are subject to change without notice.
- Measurements herein supersede all others published prior to publication date below.

CSA # MTDS-103A

©2021 by MTI Baths, Inc. Modification Rights Reserved

