



Features an integrated overflow.

Intarcia Soaker

MODEL #: 137A
67" x 40" x 19.5"

GENERAL SPECIFICATIONS

Material - SculptureStone®

Installation - Freestanding

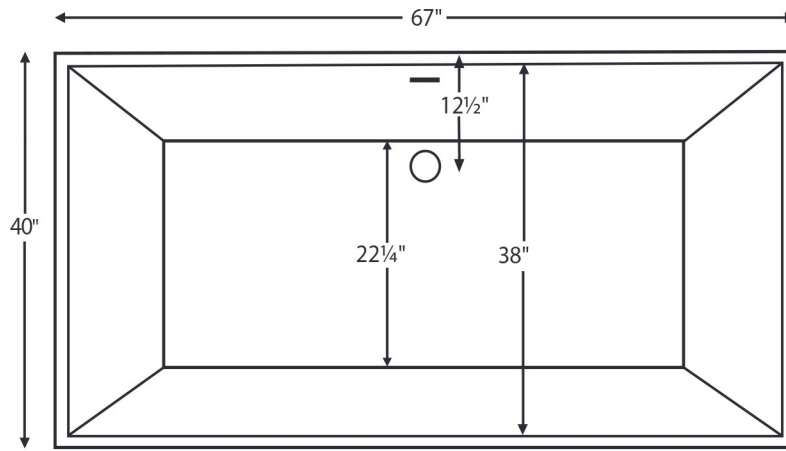
Soaker Weight - 200 lbs / 91 kg

Air Bath Weight - 230 lbs / 104 kg

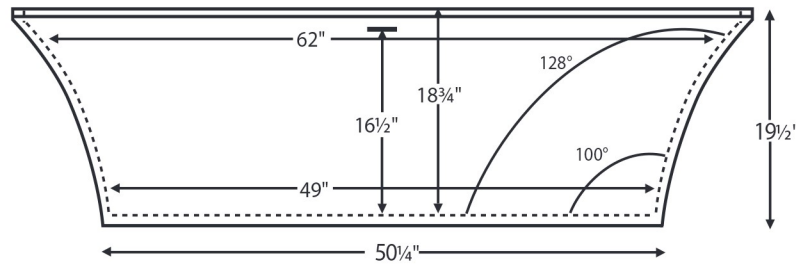
Maximum Fill - 90 gal to overflow

May also be undermounted. Must specify on order.
Not recommended as a tub / shower combination.

NOTE: Filling this tub to the maximum may require an above average size or dedicated water heater.



Intarcia #137A is available only as a soaker. To order an air bath see Intarcia with Pedestal #137B or Intarcia with Inverted Pedestal #137C



ELECTRICAL COMPONENTS & SPECIFICATIONS

Hydrotherapy Package

This tub model available as Soaker only

CSA Certified C/US; ANSI Z124.1

IMPORTANT ORDERING & INSTALLATION INFORMATION

- Before ordering or installing, please consider future access to equipment.
- Includes an integrated overflow with toe tap drain in chrome finish. May be specified without an overflow (see local codes before ordering without an overflow).
- Air baths require job site preparation for remote installation of the blower and required check valve. Check valve must be installed higher than the rim of the tub.
- Waterproof remote control included with air bath. Keypad shipped loose may be remote mounted on nearby surface/wall.
- Faucet valves cannot be mounted on this tub model.

See the Installation & Operation Manual for more details.
MTI's Customer Service: Monday-Friday 8am-6pm EST
800-783-8827 or service@mtibaths.com

- Before discarding tub crate, check for accessories that may be packaged inside.
- All product measurements are $\pm 1/2"$.
- Specifications and configurations are subject to change without notice.
- Measurements herein supersede all others published prior to publication date below.

CSA # MTCT-137

©2021 by MTI Baths, Inc. Modification Rights Reserved

1 of 2



Rev. 08 12 2021