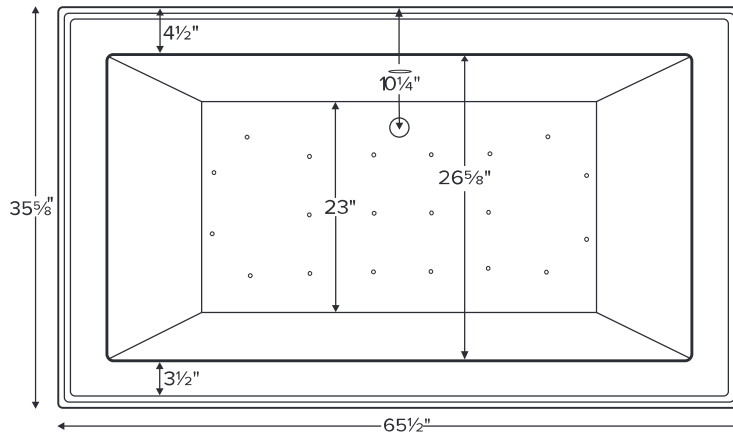


Madelyn 3



Shown with optional pedestal

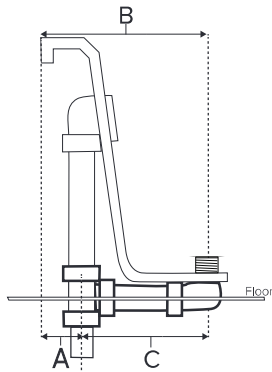
MODEL 136	
65.5" x 35.625" x 23.5" Optional pedestal: 56" x 25" x 2"	
FREESTANDING 80 gal to overflow	
Acrylic CXL™	DoloMatte™
155 lbs / 71 kg	<SOAKER> 174 lbs / 79 kg
Filling this tub to the maximum may require an above average size or dedicated water heater.	



IMPORTANT
Optional pedestal base ships attached to tub and must be ordered at time of purchase to ensure proper fit and finish.

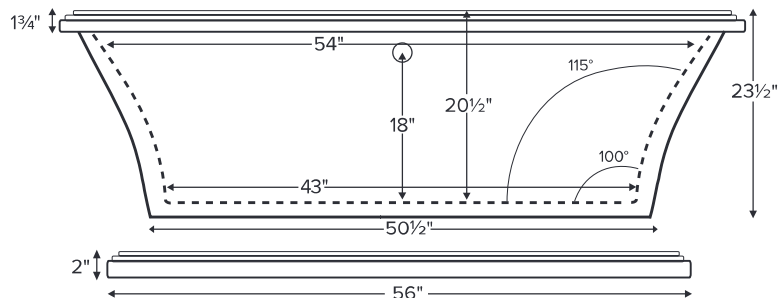
Drain Rough-In Measurements

A	B	C
3 1/2"	10 1/4"	6 3/4"



Requires use of a wall-mounted or freestanding tub filler.

Shown with Air Massage Package.



Optional one-piece pedestal base.

Access panel
9" x 16"



ELECTRICAL COMPONENTS & SPECIFICATIONS

Hydrotherapy Package	Components Included	110V GFCI
Air Massage	heated blower	1-15 amp
Air Massage Elite	heated blower, chromatherapy	1-15 amp
Electrical requirements may change with the addition of optional therapy components. See specific option details or installation information. CSA Certified C/US; ANSI Z124.1 and ANSI 112.19.7		

IMPORTANT ORDERING & INSTALLATION INFORMATION:

- Before ordering or installing, please consider future access to equipment.
- Comes equipped with an access panel on the drain side for installation of waste and overflow.
- Optional pedestal ring does not increase the height of the tub.
- Air baths require job site preparations for remote mounting the blower.
- Hydrotherapy equipment may ship loose for remote installation depending on tub model. See package content on the following page for details.
- MTI will eliminate the access panel upon request. Installation will be more difficult.
- Radiance placed on floor locations will affect placement of air jets.
- Faucet valves cannot be installed on this tub model.
- All tubs are in accordance with CSA B45.5/IAPMO Z124 standard and compliant with ASTM C 1028-07 coefficient of friction. Dolomatte meets ANSI A137.1/A326.3 coefficient of friction and AS HB198:2014 pendulum slip resistance testing.

- Before discarding tub crate, check for accessories that may be packaged inside.
- All product measurements are ±1/2".
- Specifications and configurations are subject to change without notice.
- Measurements herein supersede all others published prior to publication date below.

See the Installation & Operation Manual for more details.
MTI's Customer Service: Monday-Friday 8am-6pm EST
800-783-8827 or service@mtibaths.com

