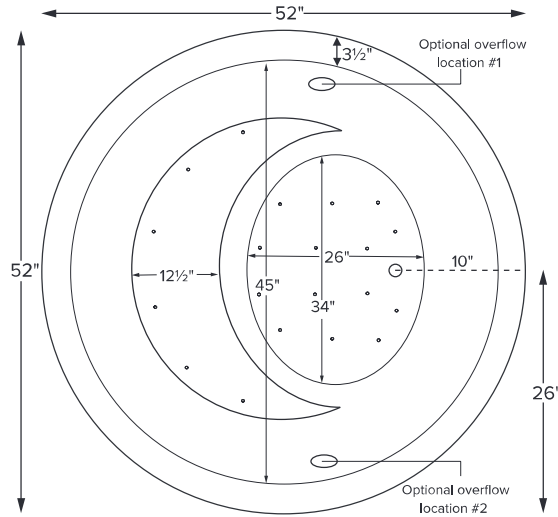


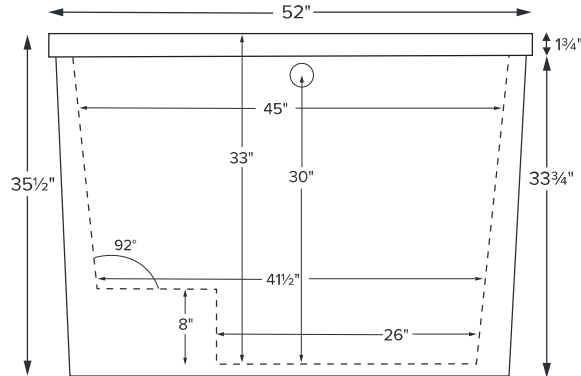
Jasmine 3



Features integral seat



Shown with Air Massage Package.



MODEL 134
52" x 52" x 35.5"
FREESTANDING 160 gal to overflow
Acrylic CXL™
Soker Weight 123 lbs / 56 kg
Filling this tub to the maximum may require an above average size or dedicated water heater.

IMPORTANT

Consider and select location of overflow when ordering and planning installation. See drawing and "Important Ordering & Installation Information".



Access panel
7 1/8" x 9 1/4"

ELECTRICAL COMPONENTS & SPECIFICATIONS

Hydrotherapy Package	Components Included	110V GFCI
Air Massage	heated blower	1-15 amp
Air Massage Elite	heated blower, chromatherapy	1-15 amp

Electrical requirements may change with the addition of optional therapy components. See specific option details or installation information. CSA Certified C/US; ANSI Z124.1 and ANSI 112.19.7

IMPORTANT ORDERING & INSTALLATION INFORMATION:

- Before ordering or installing, please consider future access to equipment.
- Includes cable-driven drain kit with factory installed overflow.
- Must indicate overflow location #1 or #2 on order; see line drawing above.
- This freestanding tub comes equipped with a visible access panel behind the overflow. Please plan for this when positioning the tub for final installation.
- Air baths require job site preparations for remote mounting the blower and required check valve. Check valve must be installed higher than the rim of the tub.
- Hydrotherapy equipment may ship loose for remote installation depending on tub model. See package content on the following page for details.
- Radiance placed on floor locations will affect placement of air jets.
- Faucet valves cannot be installed on this tub model.
- Textured bottom is compliant with ASTM C 1028-07 friction coefficient.

- Before discarding tub crate, check for accessories that may be packaged inside.
- All product measurements are ±1/2".
- Specifications and configurations are subject to change without notice.
- Measurements herein supersede all others published prior to publication date below.

See the Installation & Operation Manual for more details.
MTI's Customer Service: Monday-Friday 8am-6pm EST
800-783-8827 or service@mtibaths.com

