

Boutique Collection Tubs

Akana

MODEL #: 131

65.5" x 38" x 21.5"

GENERAL SPECIFICATIONS

Material - SculptureStone®

Installation - Freestanding

Soaker Weight - 380 lbs / 172 kg

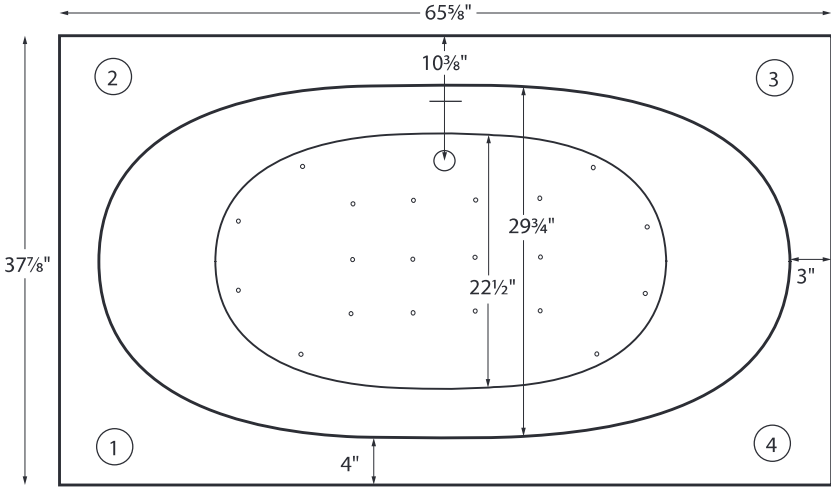
Air Bath Weight - 410 lbs / 186 kg

Maximum Fill - 71 gal to overflow

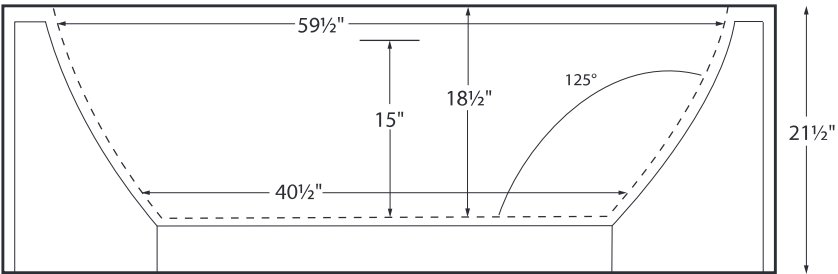
NOTE: Filling this tub to the maximum may require an above average size or dedicated water heater.



Features an integrated overflow.



Numbered locations on tub deck are possible locations to mount faucetry.



ELECTRICAL COMPONENTS & SPECIFICATIONS

Required Electrical Service - 110 Volt

Hydrotherapy Package	Components Included	GFCI
Air Massage	heated blower	1-15 amp

CSA Certified C/US; ANSI Z124.1 and ANSI 112.19.7

See the Installation & Operation Manual for more details.
MTI's Customer Service: Monday-Friday 8am-6pm EST
800-783-8827 or service@mtibaths.com

IMPORTANT ORDERING & INSTALLATION INFORMATION

- Before ordering or installing, please consider future access to equipment.
- Comes standard as freestanding version. May be ordered with 1, 2 or 3 sides for alcove or other installation types.
- Optional factory-installed tile flange available to ensure watertight seal for alcove or other installation types. Must specify left- or right-hand drain on order.
- Includes an integrated overflow with toe tap drain in chrome finish. May be specified without an overflow (see local codes before ordering without an overflow).
- Air baths require job site preparation for remote installation of the blower and required check valve. Check valve must be installed higher than the rim of the tub.
- Waterproof remote control included with air bath. Keypad shipped loose may be remote mounted on nearby surface/wall.
- Numbered areas on tub deck represent possible locations to install faucets and other fixtures.

• Before discarding tub crate, check for accessories that may be packaged inside.
• All product measurements are ±1/2".
• Specifications and configurations are subject to change without notice.
• Measurements herein supersede all others published prior to publication date below.

