

# LACEY 7236

DESIGNER COLLECTION



**As SHOWN:**

Whirlpool option with standard jet location

**FEATURES SHOWN:**

- Jets
- Overflow location

**ALSO AVAILABLE:**

- Soaking tub only
- Whirlpool
- Thermal Air
  - Approx 72 injections
- Combo



**WATER CAPACITY:**

90 Gallons

**WEIGHT:**

95 - 135 Pounds

**MODEL 7236 DIMENSIONS:**

- (L)ength- 72"
- (W)idth- 36"
- (H)eight Finish- 20"

**DROP-IN INSTALLATION DIMENSIONS:**

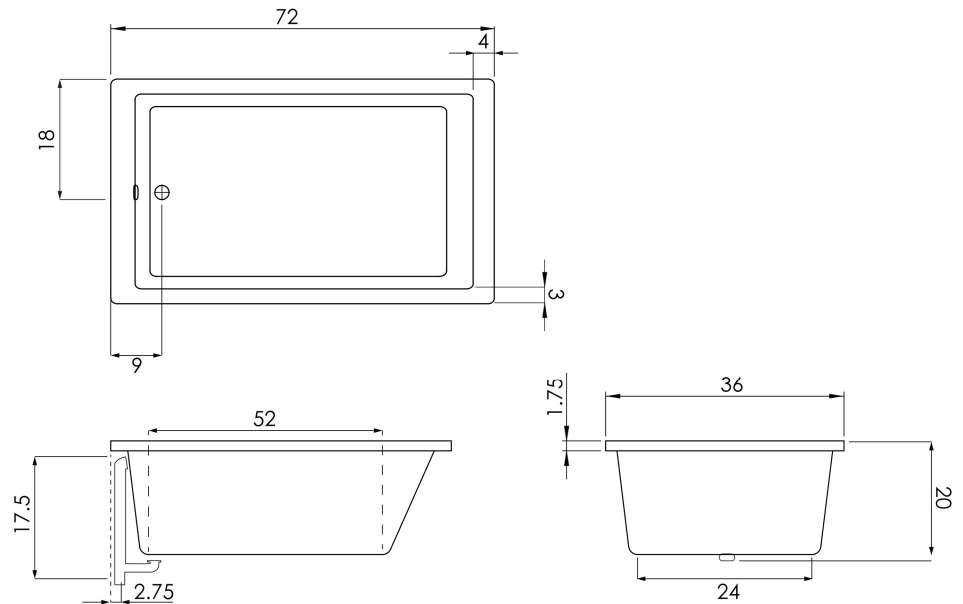
- (L)ength- 70"
- (W)idth- 34"
- (H)eight- 19.25"

**3-WALL INSTALLATION DIMENSIONS:**

- (L)ength- 72"
- (W)idth- 36"
- Ledger-19.75"

**ACRYLIC TUB**

- Acrylic models finished in 1/8" thick layer of deep lustrous acrylic
- Extra thick reinforced fiberglass
- Pre-wired pump on pump platform (standard pump location only)
- Integral E-Z level platform facilitates installation
- Tub must be set in a mortar base
- When adding linear option, p-trap is located below waste



**CODES AND COMPLIANCES**

Massachusetts code File no: P1-0614-491

