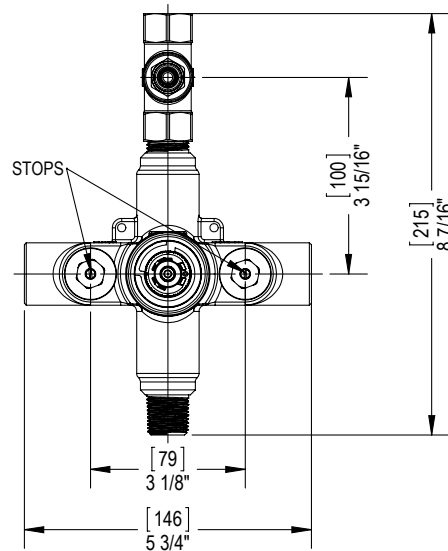
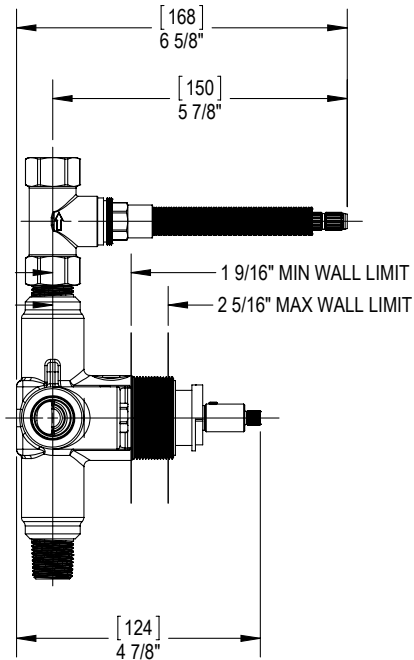


FEATURES:

- Brass construction
- Shut-Off Volume Control Valve
- Single Mixer control
- Factory preset at 38°C (100.4°F)
- Temperature range from 15°C (59°F) to 60°C (140°F)
- Safety stop with override function

- Flow Rate 4QR100/ 4QR000 (1/2") : Tub 7.0 gpm @ 50 psi
Shower 7.0 gpm @ 50 psi

4QR300/ 4PR000 (3/4") : Tub 10.0 gpm @ 50 psi
Shower 10.0 gpm @ 50 psi



4QR100 (1/2")
4QR000 (1/2")

4QR300 (3/4")
4PR000 (3/4")

CONTACT US:

If you need assistance with installation, replacement parts or have any questions regarding your Rubinet product, please call a Customer Service representative at: 905-851-6781 toll free 1-800-461-5901 or visit www.rubinet.com

180608

THE **Rubinet** FAUCET COMPANY

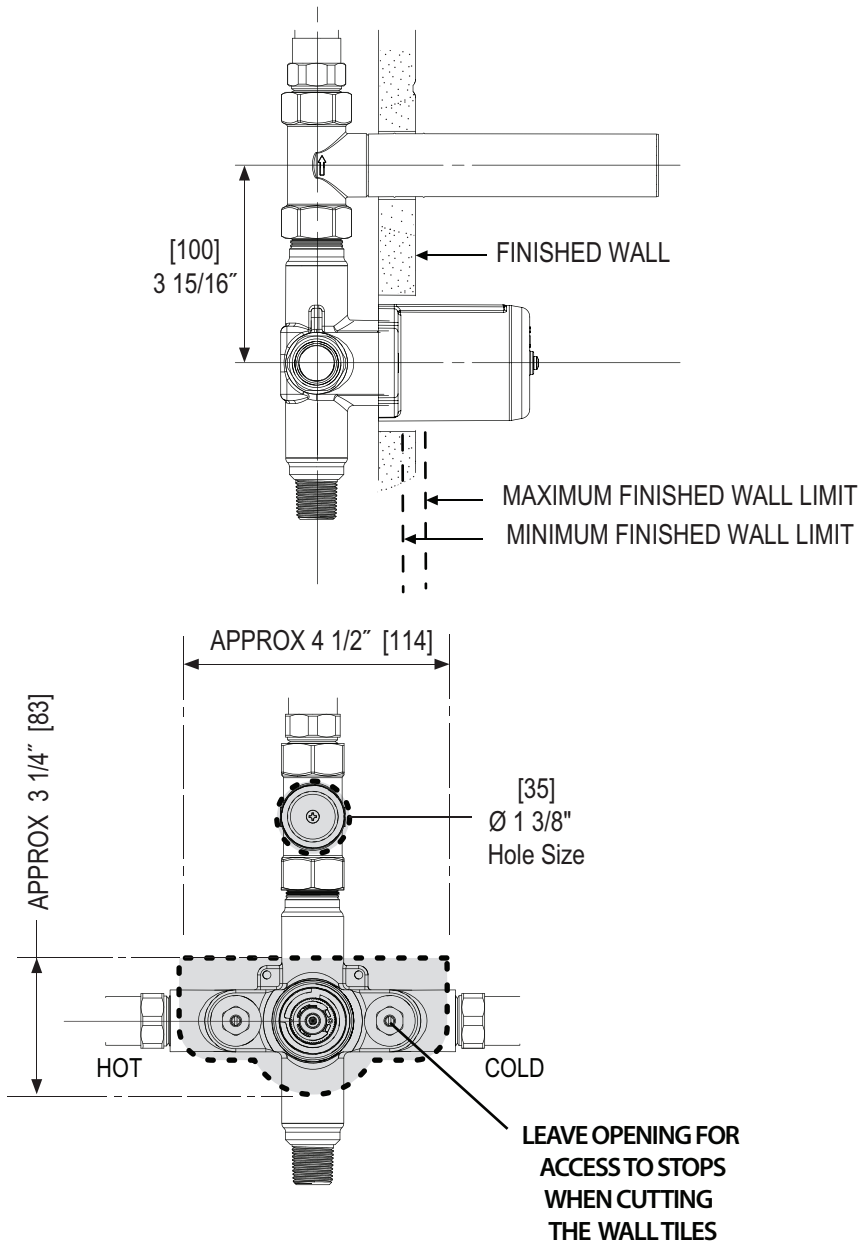
ASSEMBLY INSTRUCTION 4QR100 (4QR000) / 4QR300 (4PR000)

TEMPERATURE CONTROL VALVE WITH BUILT-IN STOPS & VOLUME CONTROL VALVE ROUGH-IN

REMOVAL OF FIXTURE:

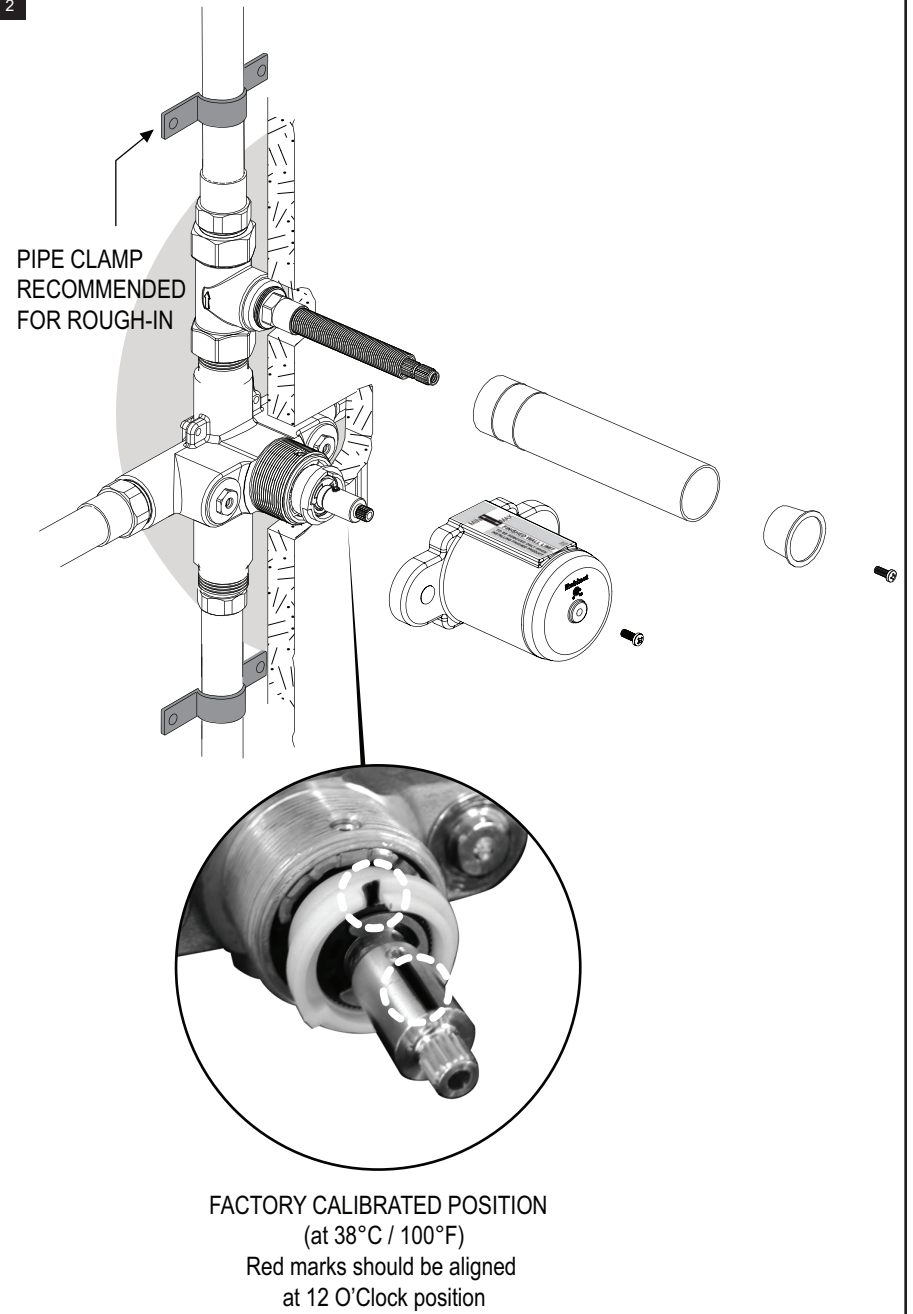
Always turn the water supply off before removing the existing fixture or disassembling a valve. Open all fixture handles to relieve water pressure and to ensure that the water has been successfully turned off.

1



PROTECTIVE COVER **MUST NOT BE REMOVED** WHEN PLASTERING AND/OR TILING.

2



*** IF PEX PIPING IS TO BE USED, DO NOT USE PEX WITH A DIAMETER OF LESS THAN 3/4" FOR MAXIMUM FLOW FROM THE VALVE**