

Date:

Client:

Project:



CE

4921VS

Build-in basin mixer with on-off sensor for 'hands free' operation. For vertical mounting. Sensor aligned with wall. Valve box VR2618 included. 4921VSUP = Mixer 4900VS, sensor cable VR509. 4921VSAP = Handle NR41, sensor VR510, 225 mm spout 020, 60 mm circular flange 001, 3001, VR512.

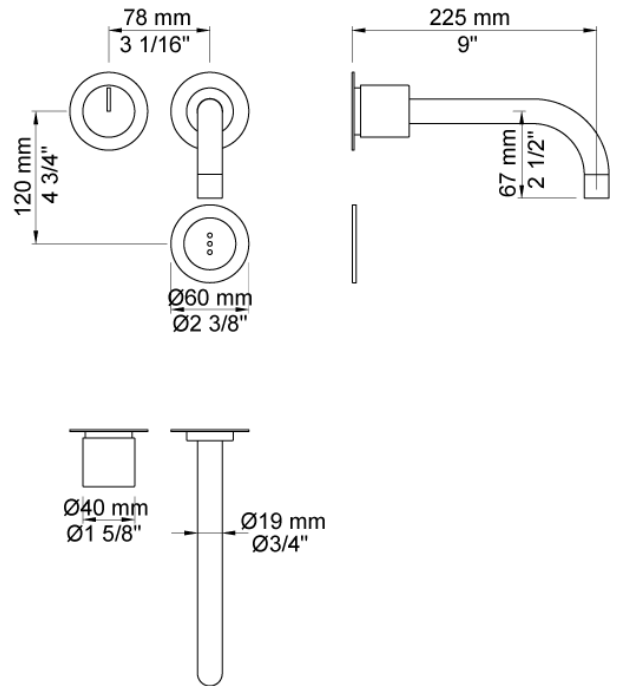
Ada approved.

Flow

	Psi:	14.5	29.0	43.5	58.0	72.5
4921VS ¹⁾	(gal/min)	0.8	1.1	1.3	1.3	1.3
4921VS ²⁾	(gal/min)	0.7	1.0	1.2	1.2	1.2

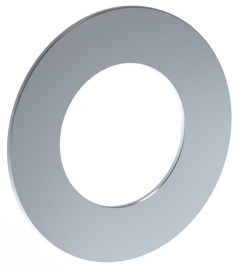
¹⁾ USA Standard

²⁾ USA Standard

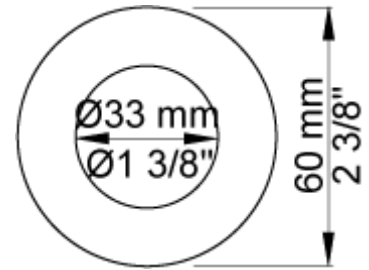


Available in colors

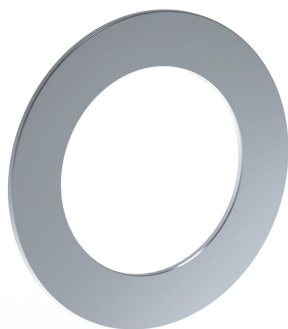
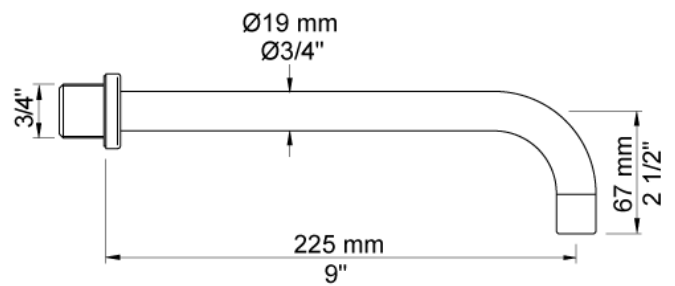
Color 02, Grey	Color 17, Gloss black
Color 04, Light blue	Color 18, White
Color 05, Orange	Color 19, Natural brass
Color 06, Light green	Color 20, Brushed chrome
Color 08, Yellow	Color 21, Carmine red
Color 09, Dark grey	Color 25, Pink
Color 12, Mocca	Color 27, Matt black
Color 14, Bright red	Color 28, Matt white
Color 15, Dark blue	Color 40, Brushed stainless steel
Color 16, Polished chrome	



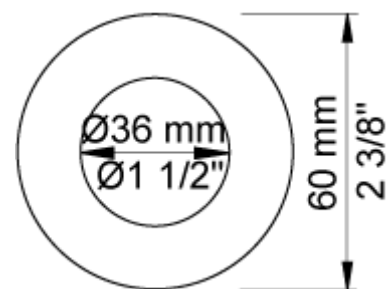
001
60 mm circular flange. Hole \varnothing 33 mm.

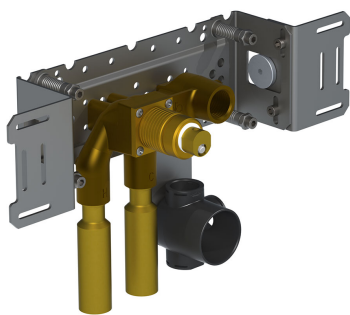


020
225 mm fixed spout with water saving aerator.



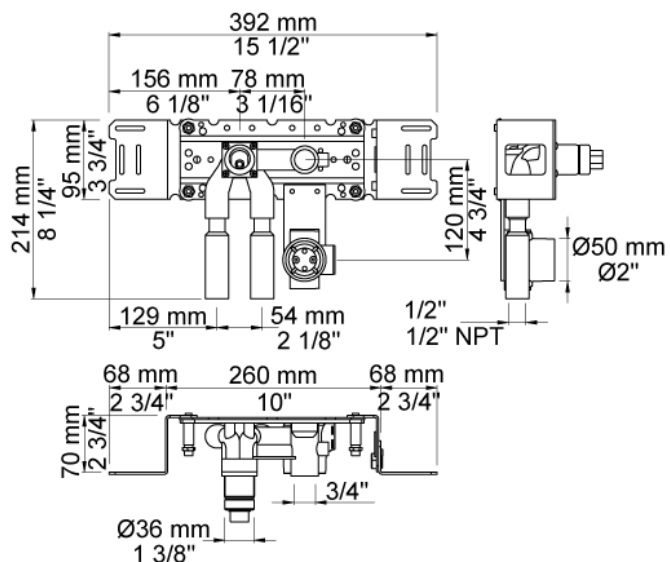
3001
60 mm circular flange. Hole \varnothing 36 mm.





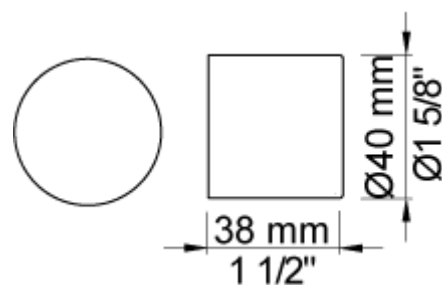
4900VS

Build-in basin mixer with on-off sensor for 'hands free' operation, with temperature regulation. Valve box for electronic mixer, VR2618 included.



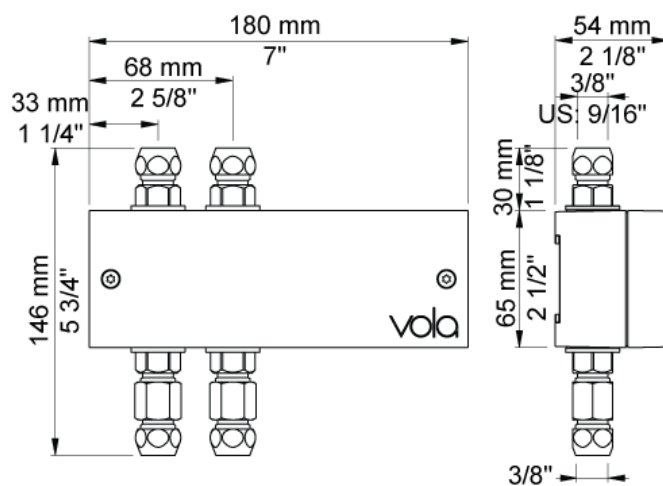
NR41

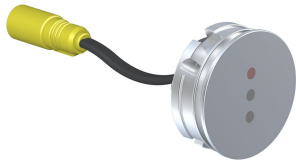
Temperature control handle for wall-mounted electronic mixer 4900.



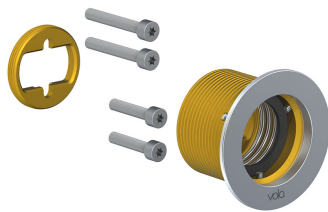
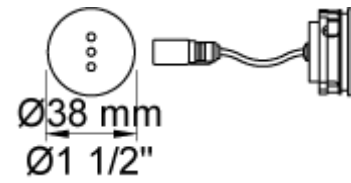
VR2618

Valve box.



**VR510**

Sensor for electronic tap 4300, 4800 and 4900.

**VR512**

60 mm circular flange. Hole $\varnothing 38$ mm for 4300, 4800 and 4900.

