



Sink - Lissé

Three-hole lavatory mixer with drain - platinum matte

Article number: 20 713 845-06 0010



- 5-1/8" Projection
- US drain with overflow
- Rigid spout
- Round aerated stream
- Total height 3-3/4"
- Height to aerator/spout outlet 3"
- Valve hole diameter 1-1/4"
- Spout hole diameter 1-3/8"
- Flange diameter 1-7/8"
- Water flow rate limited to max. 1.2 gpm
- lead-free
- (ADA)
- Suitable only for basins with overflow.



platinum matte

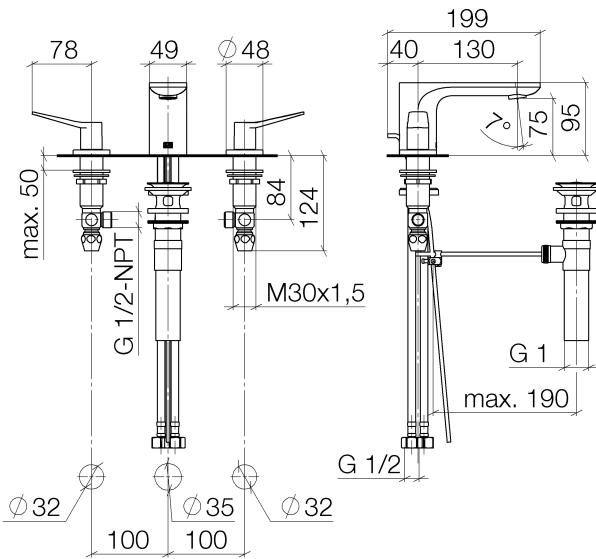


Sink - Lissé

Three-hole lavatory mixer with drain - platinum matte

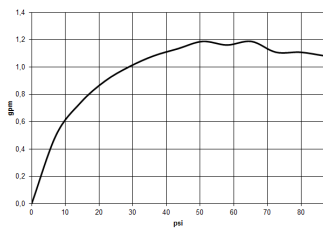
Article number: 20 713 845-06 0010

Dimensional drawing



All dimensions in mm / inch = mm x 0,0394

Flow rate chart





Sink - Lissé

Three-hole lavatory mixer with drain - platinum matte

Article number: 20 713 845-06 0010

Other surface finishes

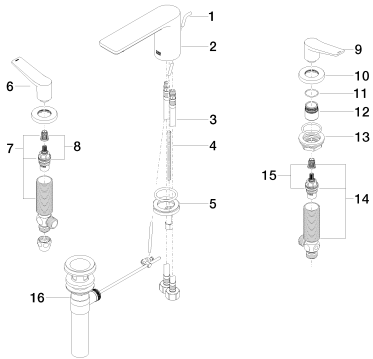


polished chrome

20 713 845-00 0010

More custom finish options are available via special production (xTra Service). Please see our finish matrix for availability and pricing or contact a Dornbracht representative.

Spare parts list



Number	Item Number	Designation	Number of units
1	09 31 09 120-06	pull-rod	1
2	90 11 84 013 02-06	Outlet - platinum matte	1
3	04 30 04 019 00 90	Flexible supply line -	2
4	09 31 11 012 90	Mounting bracket -	1
5	04 30 11 038 75 90	Mounting bracket -	1
6	09 20 84 025-06	Handle - platinum matte	1
7	04 17 11 055 51 90	Deck valve -	1
8	90 90 03 151 00 90	Upper part clockwise-closing 1/2" -	1
9	09 20 84 024-06	Handle - platinum matte	1
10	09 27 84 023-06	Escutcheon - platinum matte	2
11	09 14 10 098 90	O-Ring 22,0 x 1,6 mm -	2
12	09 18 40 206 90	Ring -	2
13	04 23 10 032 78 90	Mounting bracket -	2
14	04 17 11 055 50 90	Deck valve -	1
15	90 90 03 150 00 90	Upper part counter-clockwise closing 1/2" -	1
16	04 11 01 023 00-06	Drain - platinum matte	1