



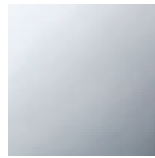
Shower - Tara.

Slide bar set without hand shower - polished chrome

Article number: 26 413 892-00

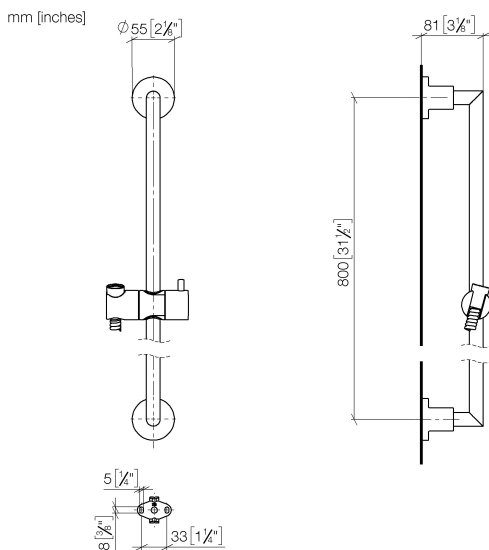


- Slide bar
- Pipe diameter 3/4"
- Flanges, diameter 2-1/8"
- Center to center 31-1/2"
- Metal shower hose 68-7/8" with anti-twist device
- Shower hose connection 3/8"
- This article does not include a hand shower!
- NOTE: Hand shower sold separately. Please see hand shower options under the miscellaneous articles section of each series.



polished chrome

Dimensional drawing



All dimensions in mm / inch = mm x 0,0394

Model/program/technical modifications and error excepted
For more information see: www.dornbracht.com + 49 (0) 2371 88999 900 mail@dornbracht.com



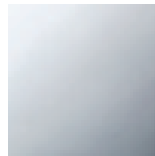
Shower - Series-various
Wall elbow - polished chrome
Article number: 28 450 625-00
Date of manufacture from 7/6/2018

- 3/8" Shower outlet
- Flange diameter 2-1/8"
- 1/2" connection

Codes & Standards

- ASME A112.18.1/CSA B125.1

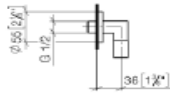
- Internal backflow preventer.



polished chrome

Dimensional drawing

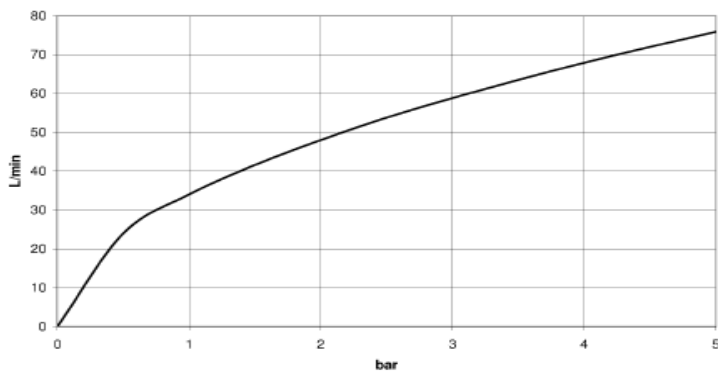
mm [inches]



tem.

All dimensions in mm / inch = mm x 0,0394

Flow rate chart





Shower - Deque
Hand shower - polished chrome
Article number: 28 017 979-00 0010

- Standard spray mode
- Descaling system
- Ø 5-1/8
- 1/2" connection
- Water flow rate limited to max. 1.8 gpm

Codes & Standards

- ASME A112.18.1/CSA B125.1

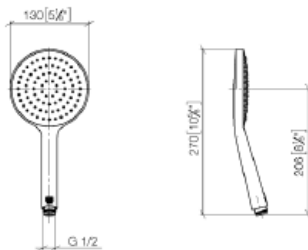
- Internal backflow preventer.



polished chrome

Dimensional drawing

mm [inches]



Flow rate chart

