

**SPECIFICATIONS**

**VITA BELLA**  
APPLIANCE  
PULLS



**FEATURES**

- Transitional styling
- Multiple finishes
- Concealed installation

**WARRANTY**

Limited lifetime

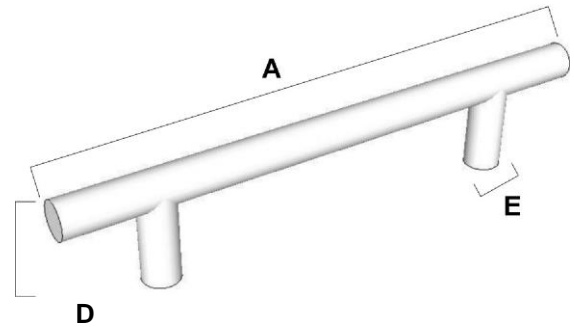
**FINISHES**

- Matte Black (MB)
- Champagne (CHP)
- Matte Nickel (MN)
- Champagne/Matte Black (CHP/MB)
- Matte Nickel/Matte Black (MN/MB)

**MATERIAL**

Aluminum

**PRODUCT SHEET**



Item#	A	B	C	D	E (L)	F (W)
D2802-12	14 3/4"	12"	5/8"	2-3/64"	5/8"	5/8"
D2802-18	20 3/4"	18"	5/8"	2-3/64"	5/8"	5/8"

**KEY:**

- A Overall Length
- B Center to Center
- C Bar Width
- D Projection
- E Mount Length
- F Mount Width

NOTE: Dimensions and specifications are subject to change without notice.