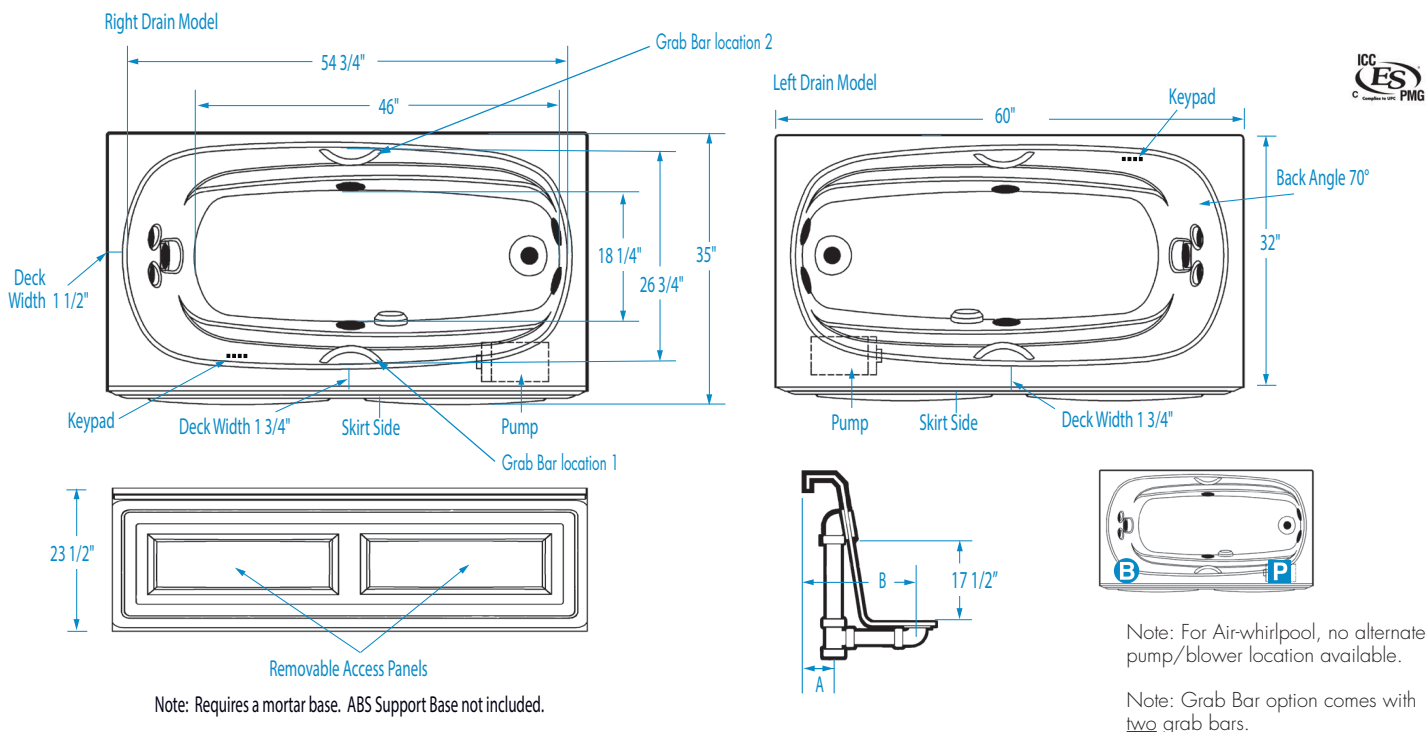


# SANTA CLARA

60 x 35 x 23 1/2 inches



**FEATURES** lbs (kg) Dimensional Tolerance ± 3/8". Dimensions needed for site preparation should be measured from the unit. Aquatic assumes no responsibility for preparatory work.

Type and Model #	Material	Jets	Pump	Air System	Blower	Heater	Controls	Drain	Pkg. Wt.
Whirlpool #W6032ISL/R	Cast Acrylic	7	102 GPM	—	—	1.5 kw Inline (optional)	Electronic	LH or RH	135
Air-Whirlpool #W32LUX6032ISL/R	Cast Acrylic	7	102 GPM	Channel	Variable speed	1.5 kw Inline	Electronic	LH or RH	292

## DIMENSIONS inches

Width Overall / Net	Depth Overall / Net	Height Overall / Net	Skirt Height
60	35	23 1/2	22 5/8

## SUMP DATA inches

Capacity to Overflow gal (ltr)	Min. Operating Capacity gal (ltr)	WIDTH @ centerline		DEPTH @ centerline	
		Top	Bottom	Top	Bottom
69	50	54 3/4	46	26 3/4	18 1/4

## PLUMBING DIMENSIONS inches

A	B	Drain Diameter / Clearance
1 5/8	9 1/4	2 / 2 7/8

## ELECTRICAL DATA

Component	Specification	Requirement
Pump	9 AMP; 120V	15 AMP; 120V, separate circuit; Class A GFCI
Optional Heater	1.5 kW; 12 AMP; 120V	15 AMP; 120V, separate circuit; Class A GFCI
Blower	1.0 HP; 9.5 AMP; 120V	15 AMP; 120V, separate circuit; Class A GFCI

**NOTES:**

1) Where applicable, utilize cut-out templates packed with unit for deck cutouts.

2) 16 x 16 minimum access required at pump/blower location(s).

3) If a (3T) tiling flange is selected, then the keypad is located opposite of the flange.

**NOTE:**

1) This whirlpool must be hard wired to the breaker box. Three outlets will be supplied on the air-whirlpool.