

MILLENNIUM 7

71 ¾ x 58 ¼ x 33 inches



FEATURES

- Dual hydrotherapy bath with independent bathing zones
- Raised seating
- Sculpted armrests
- Molded footrests
- Two extra-soft magnetic comfort pillows
- Adjustable metal base
- Slip resistant floor
- Premium cast acrylic surface
- Limited lifetime warranty



AVAILABLE SYSTEMS

AIR-WHIRLPOOL COMBINATION

- Dual bathing zones with independent electronic controls
- 24 hydrotherapy jets
 - 12-jet heated-air shiatsu back massage system
 - Elbow and wrist jets
 - Knee and foot jets
 - Back massage jets
- 2 independent pumps (one for each bathing zone)
- 1.5kW inline maintenance heater
- High intensity LED chromotherapy lights (3)
- In-floor illusion air injectors
- Variable speed heated-air blower with wave and pulse modes
- Air system purge and dry cycle
- Floating remote control



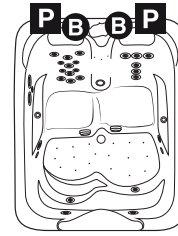
Rev. 04.05.21

PRICE LIST/ORDER FORM — PURCHASE ORDER REQUIRED

MILLENNIUM 7

71 3/4 x 58 1/4 x 33 inches

BASE MODEL	PKG. WT. LBS.	JETS	DRAIN	MODEL #	MSLP
<input type="checkbox"/> Air-Whirlpool	685	24	Center	W7MIL7257	\$21,317



MILLENNIUM

PRODUCT FEATURES

OPTIONS (x = insert desired option code)	ENTER DESIRED OPTION CODE	MSLP
Cast acrylic stock color (COLxx): White (WH)	_____	No charge
Cast acrylic color upgrade (COLxx): Biscuit (BI)	_____	\$35
Cast acrylic premium color upgrade (COLUxx): Black (BK) Sterling Silver (ST)	_____	\$389
Magnetic pillows (2) (MPxxxxx): White (WHPIL) Black (BKPIL)	_____	No charge
Cable drive waste & overflow: Chrome (CDCHCD)	_____	\$345
Cable drive waste & overflow, color-matched (CDxxxx): Biscuit (BICD) White (WHCD)	_____	\$390
Cable drive waste & overflow (CDxxxx): Oil Rubbed Bronze (OBCD) Polished Brass (BRCD) Brushed Nickel (SNCD)	_____	\$440
Metallic trim: Chrome (MTCH)	_____	\$540
Metallic trim (MTxx): Polished Brass (BR) Brushed Nickel (SN)	_____	\$675
Fast-fill waterfall spout (SPWF5)	_____	\$525
Rush order program* (DELQK)	_____	\$325
Residential delivery with lift gate* (DELLG)	_____	\$454

*For program terms and conditions, see page iii.

BASE PRICE (insert MSLP of base model selected in upper table)	+ \$ _____
OPTIONS SUB TOTAL	\$ _____
ORDER TOTAL	= \$ _____

For series features see section page.

ILLUSTRATION KEY

- P** = Pump Location
- B** = Blower Location

ORDERING KEY

In the part number, "xx" means an option code must be inserted.

Acrylic stock color (COLxx): ← part number

option code → White (WH)

Example: COLxx + WH = COLWH
Acrylic stock color in White

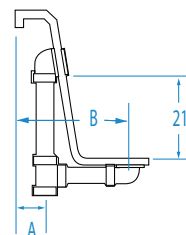
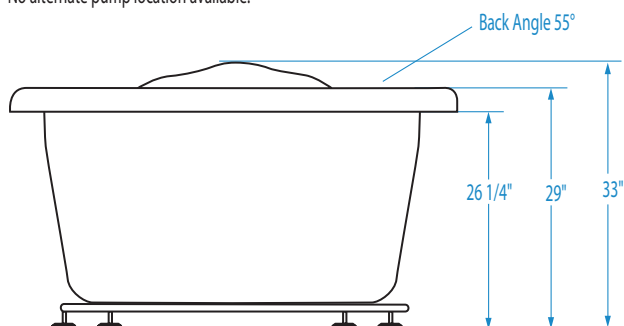
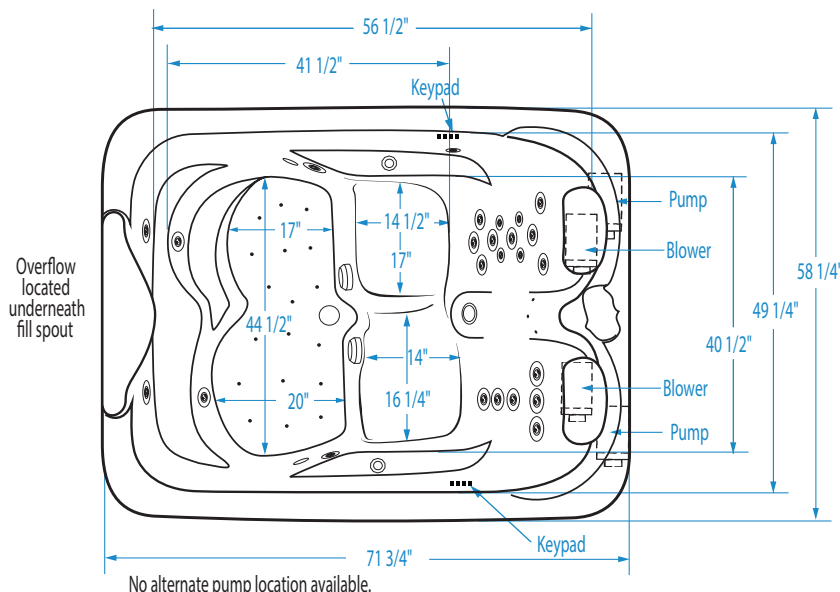
Manufacturer reserves the right to discontinue models, colors, options and trim finishes without notice.

MILLENNIUM 7

71 ¾ x 58 ¼ x 33 inches



This unit has a ¾" female waterfall fill spout connection.



FEATURES

Dimensional Tolerance ± 3/8". Dimensions needed for site preparation should be measured from the unit. Aquatic assumes no responsibility for preparatory work.

Type and Model #	Material	Jets	Pump	Air System	Blower	Heater	Controls	Drain	Pkg. Wt. lbs.
Air-Whirlpool #W7MIL7257	Cast Acrylic	24	102 GPM (2)	Injector	Variable speed (2)	1.5 kw Inline	Electronic	Center	685

DIMENSIONS inches

Width Overall / Net	Depth Overall / Net	Height Overall / Net	Skirt Height
71 ¾	58 ¼	33	-

INTERIOR BATHING WELL inches

Capacity to Overflow gal (ltr)	Min. Operating Capacity gal (ltr)	WIDTH @ centerline		DEPTH @ centerline	
		Top	Bottom	Top	Bottom
184	147	56 ½	41 ½	49 ¼	40 ½

PLUMBING DIMENSIONS inches (mm)

A	B	Drain Diameter / Clearance
2 ¼	31 ½	2 / 3 ½

ELECTRICAL DATA

Component	Specification	Requirement
Electronic Control Package		(2) 240V; 15AMP w/ GFCI; 4-Wire w/ Dedicated Neutral

NOTES:

1) Where applicable, utilize cut-out templates packed with unit for deck cutouts.

2) 16 x 16 minimum access required at pump/blower location(s).