

Designer Collection Tubs

Charlotte
 MODEL # 400
 65.5" x 32" x 22.5"



Features an integrated overflow.

GENERAL SPECIFICATIONS

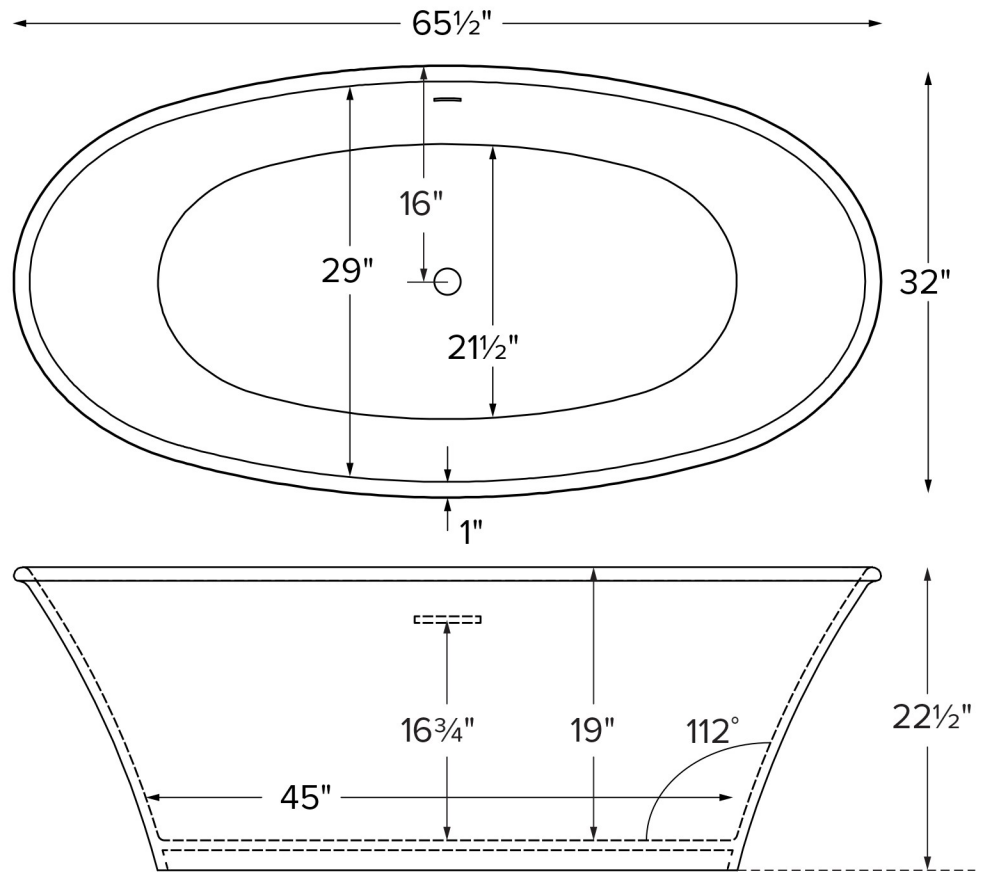
Material - Mineral Composite

Installation - Freestanding - *cannot be undermounted*
 Not recommended as a tub / shower combination

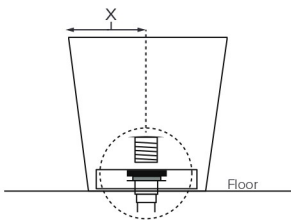
Soaker Weight - 160 lbs / 73 kg

Maximum Fill - 67 gal to overflow

NOTE: Filling this tub to the maximum may require an above average size or dedicated water heater.



Drain Rough-In Measurement



ELECTRICAL COMPONENTS & SPECIFICATIONS		
Required Electrical Service - 110 Volt		
Hydrotherapy Package	Components Included	GFCI
Air Massage	heated blower	1-15 amp
CSA Certified C/US; ANSI Z124.1 and ANSI 112.19.7		

See the Installation & Operation Manual for more details.
 MTI's Customer Service: Monday-Friday 8am-6pm EST
 800-783-8827 or service@mtibaths.com

IMPORTANT ORDERING & INSTALLATION INFORMATION

- Before ordering or installing, please consider future access to equipment.
- Integrated overflow with toe tap drain included. May also be specified without an overflow (see local codes).
- Air baths require job site preparations for remote mounting the blower and required check valve. Check valve must be installed higher than the rim of the tub.
- Waterproof remote control included. Keypad is shipped loose and may be mounted nearby.
- Faucet valves cannot be installed on this tub model.

• Options and accessories may be packaged inside the tub crate. Always check packaging before discarding.
 • All product measurements are ±1/2".
 • Specifications and configurations are subject to change without notice.
 • Measurements herein supersede all others published prior to publication date below.

