



Shown above as soaking bath without pedestal

Boutique Collection Tubs

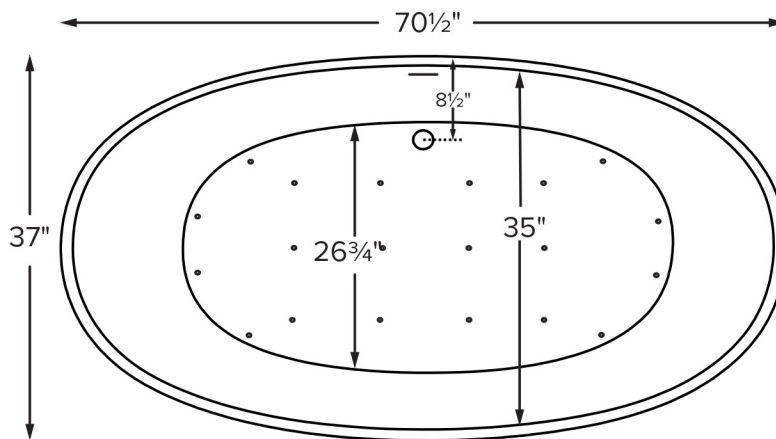
Alissa
with Optional Integral Pedestal
MODEL #: 244
70.5" x 37" x 21.25"

GENERAL SPECIFICATIONS

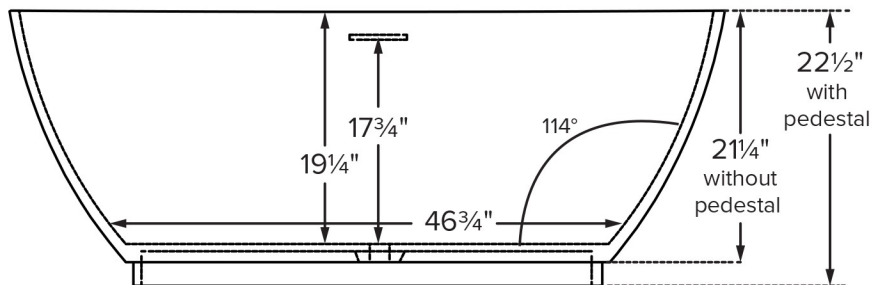
Material - SculptureStone®
Installation - Freestanding
Soaker Weight - 270 lbs / 123 kg
Air Bath Weight - 300 lbs / 136 kg
Maximum Fill - 102 gal to overflow

May also be undermounted. Must specify on order.
Not recommended as a tub / shower combination.

NOTE: Filling this tub to the maximum may require an above average size or dedicated water heater.



Shown above as an Air Bath.



Note:
Pedestal base increases the overall height of the tub and comes standard on this model as an air bath.

ELECTRICAL COMPONENTS & SPECIFICATIONS

Required Electrical Service - 110 Volt

Hydrotherapy Package	Components Included	GFCI
Air Massage	heated blower	1-15 amp

CSA Certified C/US; ANSI Z124.1 and ANSI 112.19.7

See the Installation & Operation Manual for more details.

MTI's Customer Service: Monday-Friday 8am-6pm EST

800-783-8827 or service@mtibaths.com

IMPORTANT ORDERING & INSTALLATION INFORMATION

- Before ordering or installing, please consider future access to equipment.
- Includes an integrated overflow with toe tap drain in chrome finish. May be specified without an overflow (see local codes before ordering without an overflow).
- Air baths require job site preparation for remote installation of the blower and required check valve. Check valve must be installed higher than the rim of the tub.
- Waterproof remote control included with air bath. Keypad shipped loose may be remote mounted on nearby surface/wall.
- Faucet valves cannot be mounted on this tub model.

- Before discarding tub crate, check for accessories that may be packaged inside.
- All product measurements are $\pm 1/2$ ".
- Specifications and configurations are subject to change without notice.
- Measurements herein supersede all others published prior to publication date below.

CSA # MTCT-244

©2021 by MTI Baths, Inc. Modification Rights Reserved

1 of 2



Rev. 10 11 2021