

Designer Collection Tubs



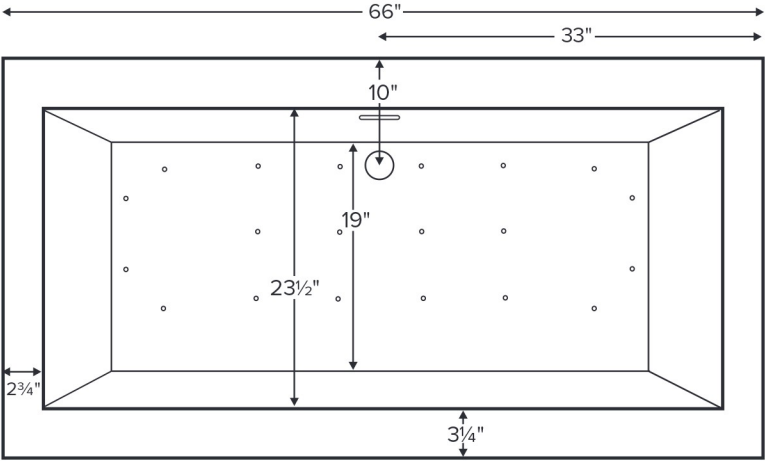
Available as a freestanding model or finished on 1, 2 or 3 sides for various installation applications.

Andrea® 28
with Sculpted Finish®
MODEL # 239A
66" x 30" x 22"

GENERAL SPECIFICATIONS

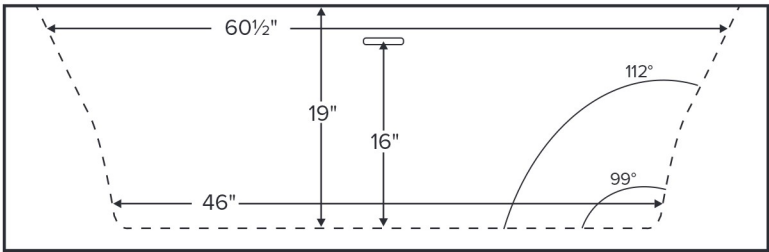
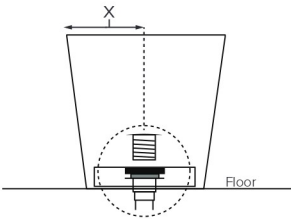
- Material** - Sculpted Finish Acrylic
- Installation** - Freestanding or Alcove
- Soaker Weight** - 135 lbs / 61 kg
- Maximum Fill** - 71 gal to overflow

NOTE: Filling this tub to the maximum may require an above average size or dedicated water heater.



The Sculpted Finish process does not allow enough space for mounting fixtures on the tub deck. Features an integrated overflow. Shown as Air Bath

Drain Rough-In Measurement



ELECTRICAL COMPONENTS & SPECIFICATIONS		
Hydrotherapy Package	Components Included	GFCI/110V
Microbubbles	Microbubbles pump	1-15 amp
Air Massage	heated blower	1-15 amp
Microbubbles with Air	Microbubbles pump, heated blower	1-20 amp
Air Massage Elite	heated blower, chromatherapy	1-15 amp
Microbubbles with Air Elite	Microbubbles pump, heated blower, chromatherapy	2-15 amp

Electrical requirements may change with the addition of optional therapy components. For more information go to mtibaths.com.
CSA Certified C/US; ANSI Z124.1
CSA Certified C/US; ANSI 112.19.7

See the Installation & Operation Manual for more details.
 MTI's Customer Service: Monday-Friday 8am-6pm EST
800-783-8827 or service@mtibaths.com

IMPORTANT ORDERING & INSTALLATION INFORMATION

- Before ordering or installing, please consider future access to equipment.
- Unless ordering Sculpted Finish on 4 sides, please include a diagram specifying which sides will need to be finished, along with location of optional tile flange(s).
- Integrated overflow with direct connect toe tap drain in chrome included. See manual for details.
- When ordering an air bath, the air blower must be remote mounted.
- Microbubbles system components must be installed on a non-Sculpted Finish side. Components will extend beyond the perimeter of the tub. Call MTI for specific details regarding the desired installation before placing the order.
- Radiance placed on floor locations will affect placement of air jets.
- Hydrotherapy equipment may ship loose for remote installation. See package content on the following page for details. Specifications and configurations are subject to change without notice.

• Options and accessories may be packaged inside the tub crate. Always check packaging before discarding.
 • All product measurements are ±1/2".
 • Specifications and configurations are subject to change without notice.
 • Measurements herein supersede all others published prior to publication date below.

