

SPECIFICATIONS:

DESCRIPTION MIRROR:

- 1 LIGHTED ROUND MIRROR WITH 5 X MAGNIFICATION.
- 1 LIGHTED ROUND MIRROR WITHOUT MAGNIFICATION.

FRAME, ARM & BRACKET:

- BRACKET FOR WALL MOUNTING W/ COVER BASE.
- ROUND FRAME WITH 2 WAY 360 ° ROTATION.
- 13 1/8" EXTENSION ARM WITH 180 ° ROTATION.

CONFORMS TO UL STD. 1598.

945-2-x5HW

120V~, 60 Hz MAX 14.5W

FOR RESIDENTIAL / COMMERCIAL USE.

SUITABLE FOR DRY & DAMP LOCATIONS.

MATERIALS

MIRROR:

- MIRROR GLASS.

SUPPORT & BRACKET:

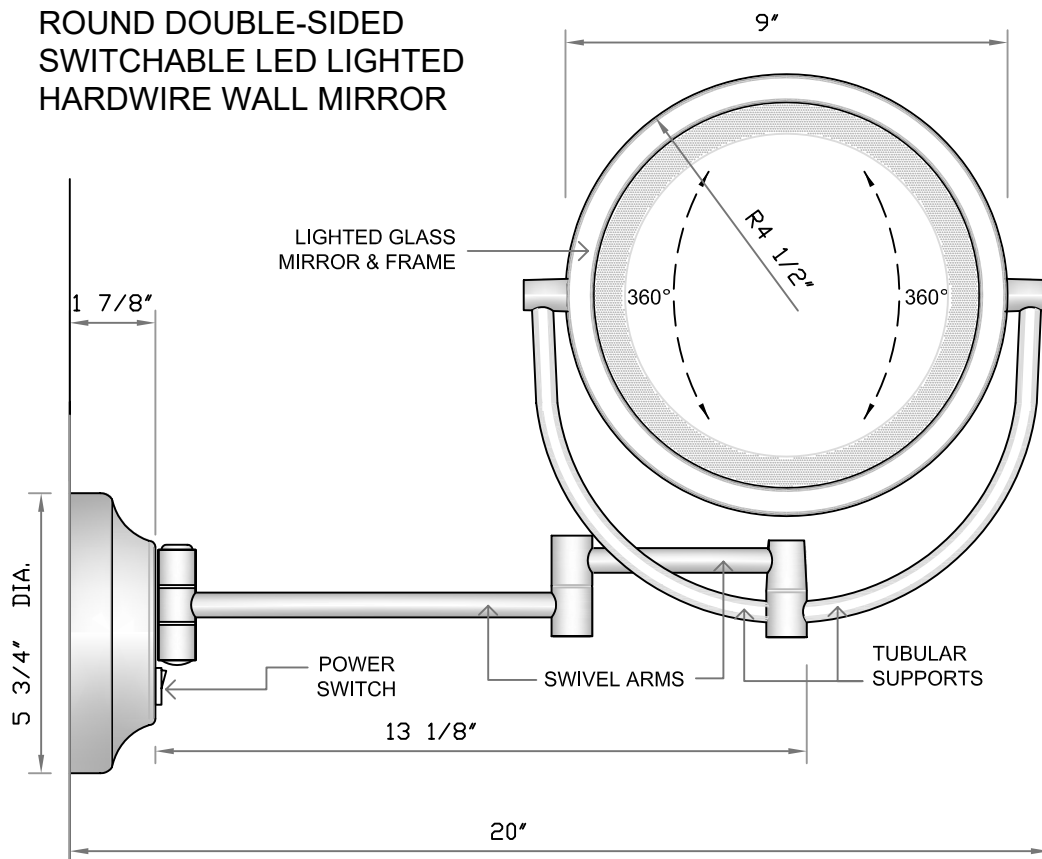
- FINISH APPLIED OVER NICKEL PLATING.

WEIGHT: 4.2 lbs.

MODEL NUMBERS:

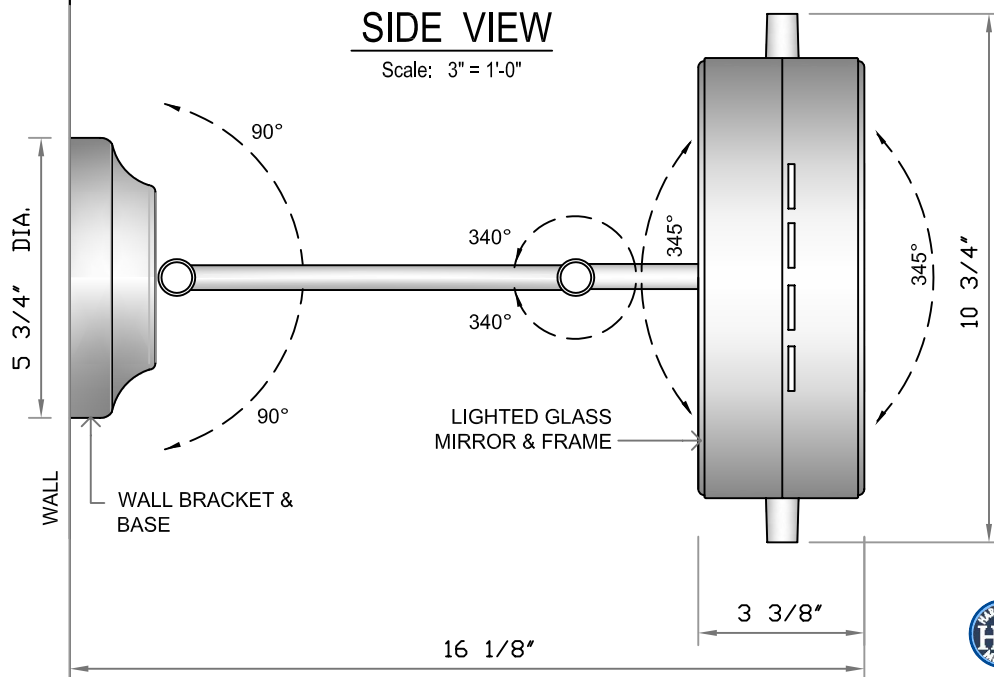
- 945-2-45HW - CHROME
- 945-2-75HW - BRUSHED NICKEL
- 945-2-85HW - POLISHED NICKEL

ROUND DOUBLE-SIDED SWITCHABLE LED LIGHTED HARDWIRE WALL MIRROR



SIDE VIEW

Scale: 3" = 1'-0"



TOP VIEW

Scale: 3" = 1'-0"



CHANGING THE WAY YOU SEE YOURSELF

TM

© APTATIONS, INC
Copyright 2012



TM