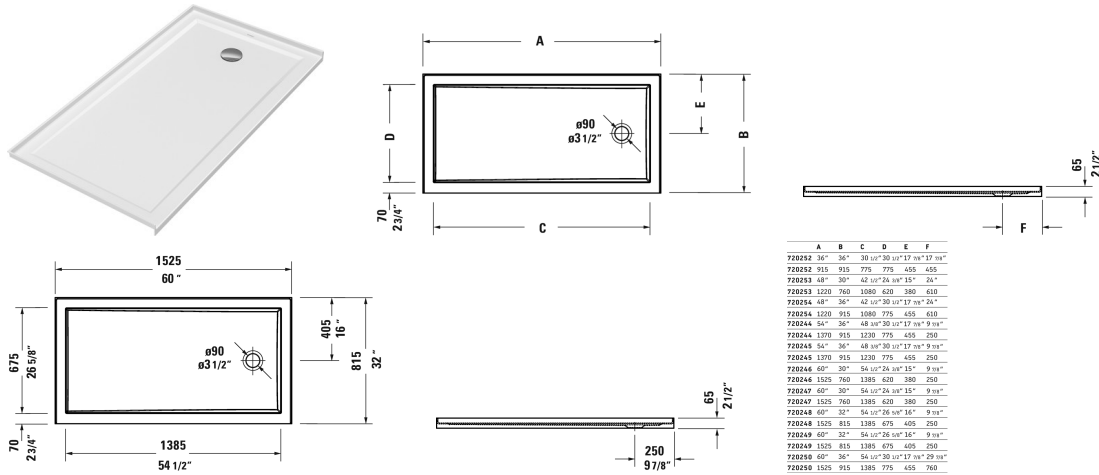


Architec Shower tray with panel # 72024900000090

< 60" Inch >



Shower tray with panel	Dimension	Weight	Order number
rectangle, with integrated panel and flange, drain right, Sanitary acrylic, 2 1/2" Inch			
Colors			
00 White			
Variant			
Shower tray	60" x 32" Inch		72024900000090
Infobox			
* Complies with the following standards: CSA B45.5/IAPMO Z124, A grid drain or similar should be used in conjunction with a p-trap under the floor. A 4" grid drain is necessary for shower trays with a 3 1/2" (90 mm) outlet.			

All drawings contain the necessary measurements which are subject to standard tolerances. They are stated in inch & mm and are non-binding. Exact measurements, in particular for customized installation scenarios, can only be taken from the finished ceramic piece.