

VARIANT 16-1/2" x 16-1/2" SQUARE ABOVE COUNTER BASIN

Cat.No.
5-541WH



Faucet not included

W: 16-1/2"
D: 16-1/2"
H: 5"

Features:

- ▶ Above counter basin
- ▶ Vitreous china for durability
- ▶ 1 faucet hole
- ▶ No overflow
- ▶ Drain not provided
- ▶ Can be used with grid drain #5601 or umbrella drain # UD701 (Not included)

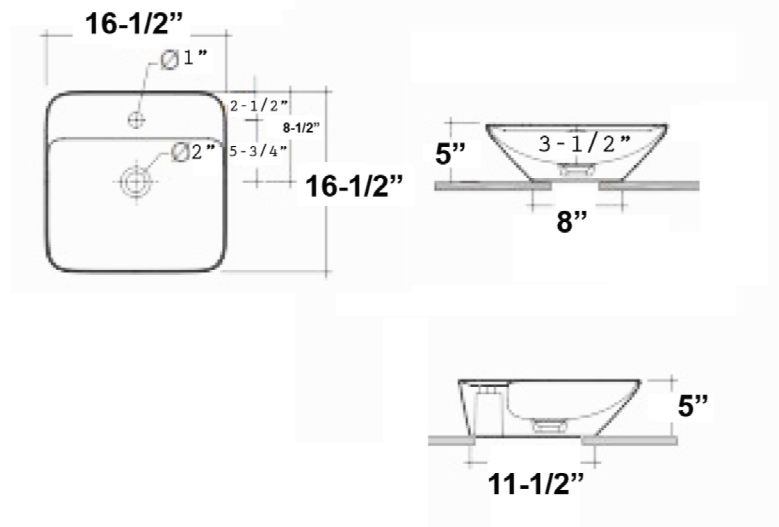
Colors:
WH White

Compliance Certification
Meets or exceeds the following specifications: ASME A112.19.2 2013 and CSA B45.1-13 for ceramic plumbing fixtures.

***Please do NOT drill hole without actual product.**

Interior Dimensions:

Basin Interior: 15-3/4" x 12"
Basin Depth: 3-1/2"
Back of basin to center of drain: 8-1/2"



Dimensions of fixture are nominal and may vary within the range of tolerances established by AMSE Standard A112.19.2.2018 Dimensions and specifications subject to change without notice.