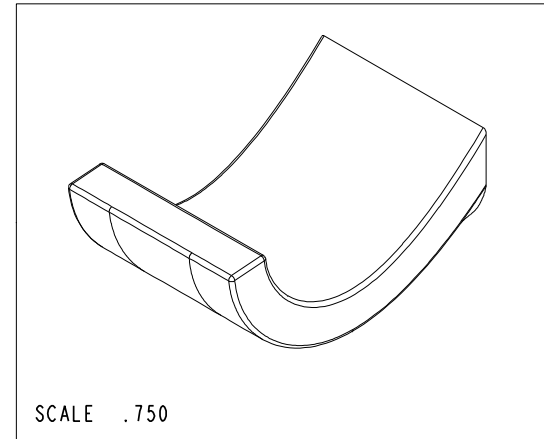
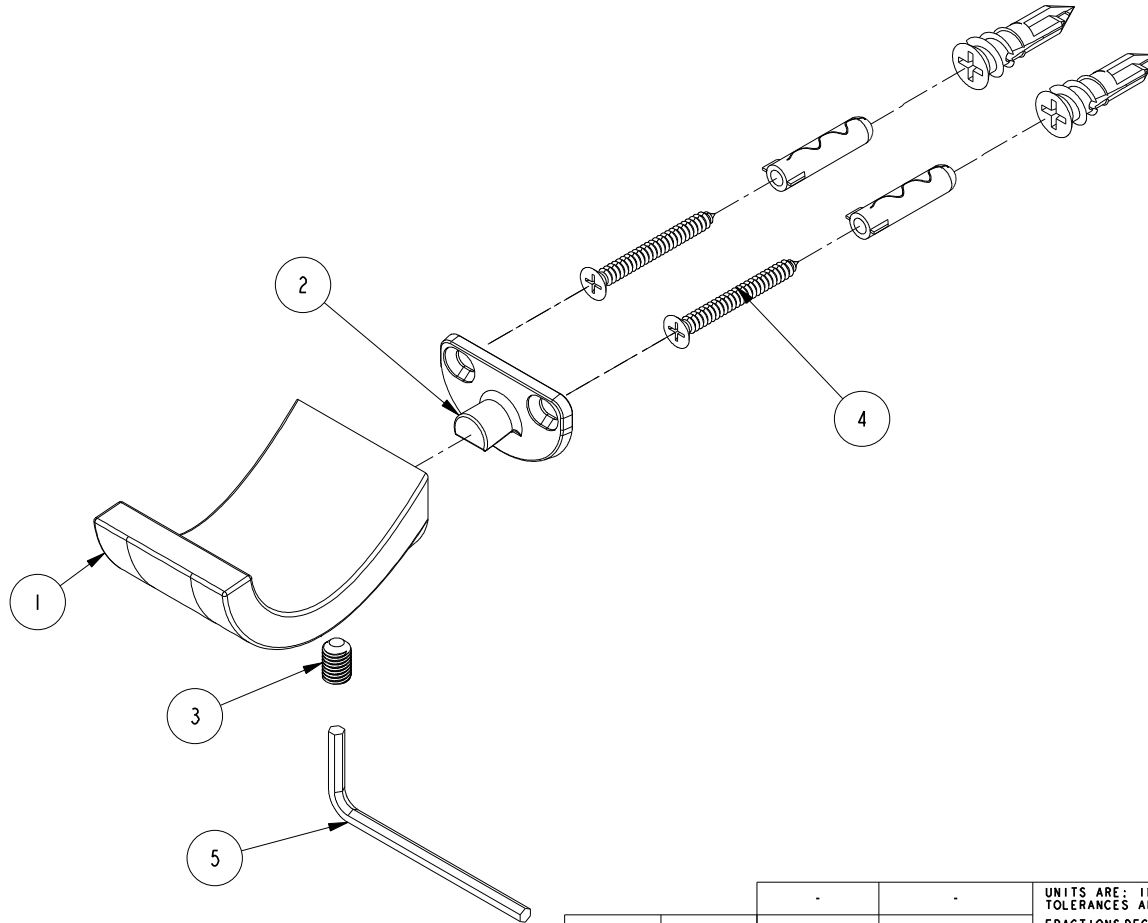


NOTES:

(N1) 1. FIT / FORM / FUNCTION SHALL FOLLOW PS-E.008.

BILL OF MATERIAL (CURRENT LEVEL)

ITEM	PT/ASSY	DESCRIPTION	TYPE	QTY.
1	40407	SINGLE ROBE HOOK	PART	1
2	92437	MOUNTING BRACKET	PART	1
3	92495	SCRW, 1/4-28 X 3/8 SKT HD CUP PT W/ SELPABØC SS	ASSEMBLY	1
4	1-206_47XX	HARDWARE PACK	ASSEMBLY	1
5	92422	HEX KEY, 1/8' ALLOY STEEL	PART	1



TESTING	-	-	-
ASSEMBLY	-	-	-
PLATING	-	-	-
POLISHING	-	NEXT ASSY	USED ON
MACHINING	-	APPLICATION	
TOOLING FIXTURE #	REMOVE ALL BURRS AND SHARP EDGES		

UNITS ARE: INCHES [MM]
 TOLERANCES ARE:
 FRACTIONS DECIMALS ANGLES
 $\pm 1/16"$.X $\pm .1$ [2.5] $\pm 1^\circ$
 .XX $\pm .06$ [1.5]

(X.XXX) DENOTES CRITICAL DIMS.
 ALL THREADS ARE CRITICAL

DRAWN R.S. 11/09/10
 CHECKED J.M. 11/09/10
 APPROVED J.M. 11/09/10

BRASSTECH
 INCORPORATED

2001 CARNEGIE AVE.
 SANTA ANA, CA 92705
 (949) 417-5207

SINGLE ROBE HOOK

DWG NO.

37-12

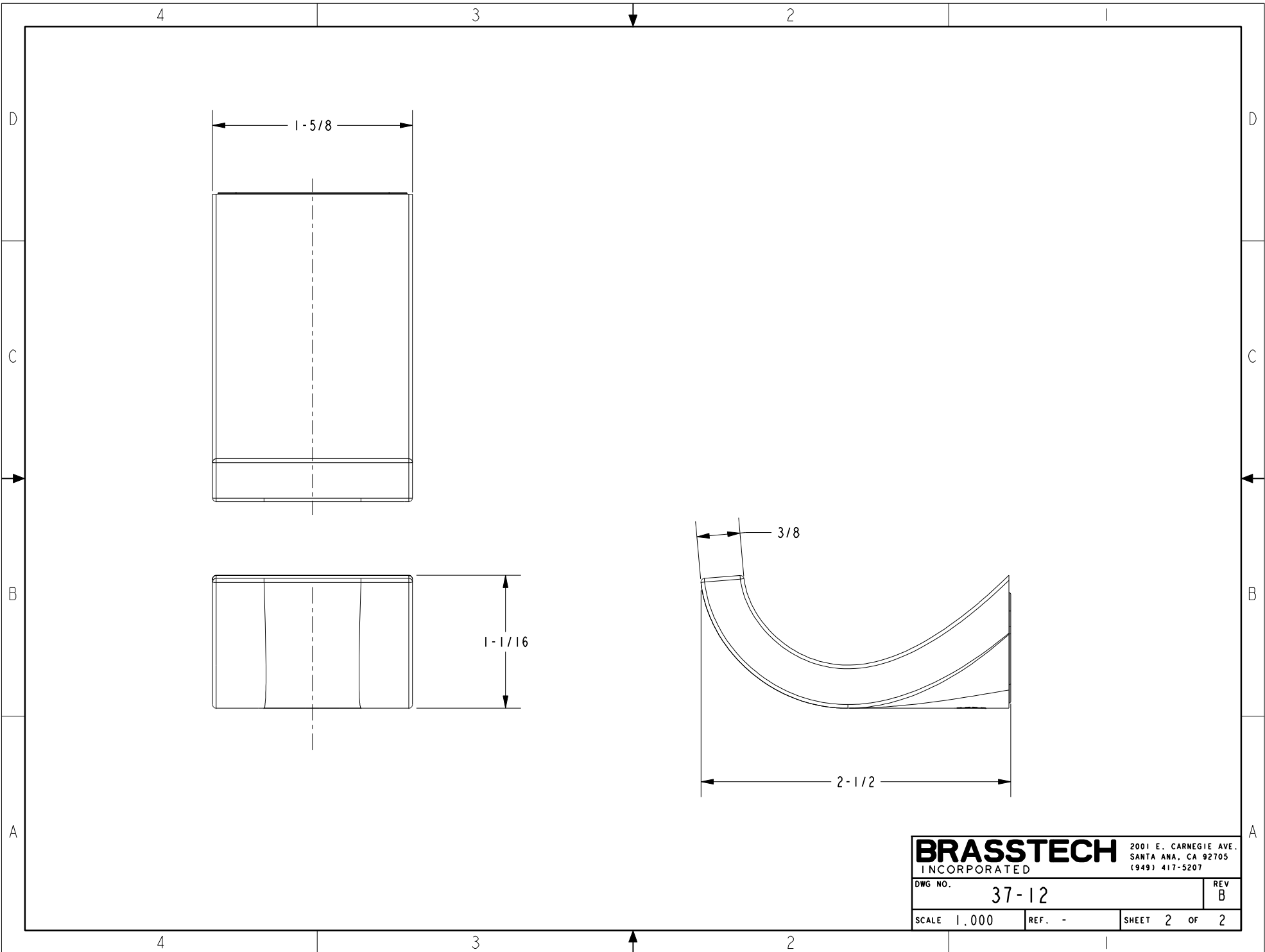
REV
 B

SCALE .600

REF. -

SHEET 1 OF 2

-	B	EN-4032	12/17/19	R.S.	COPYRIGHT 2005 BRASSTECH, INC. THESE DRAWINGS AND THE DESIGNS DEPICTED HEREIN ARE THE PROPRIETARY PROPERTY OF BRASSTECH. ANY USE OR REPRODUCTION IS SUBJECT TO THE EXPRESS APPROVAL OF BRASSTECH. UNAUTHORIZED USE IS STRICTLY PROHIBITED. ALL RIGHTS RESERVED.
-	A	EN-1718	04/04/11	R.S.	
-	-	EN-1294	11/09/10	J.M.	
ZONE	REV	DESCRIPTION	DATE	APPROVED	



BRASSTECH		2001 E. CARNEGIE AVE. SANTA ANA, CA 92705 (949) 417-5207	
DWG NO.	37-12	REV	B
SCALE	1.000	REF.	-
		SHEET	2 OF 2