

## Boutique Collection Tubs

### Elena Soaker with Cradle

MODEL #: 245C

**245CR** 58" x 32" x 27.75"

**245CF** 58" x 32" x 26.75"

#### GENERAL SPECIFICATIONS

**Material** - SculptureStone®

**Installation** - Freestanding

**Soaker Weight** - 280 lbs / 127 kg

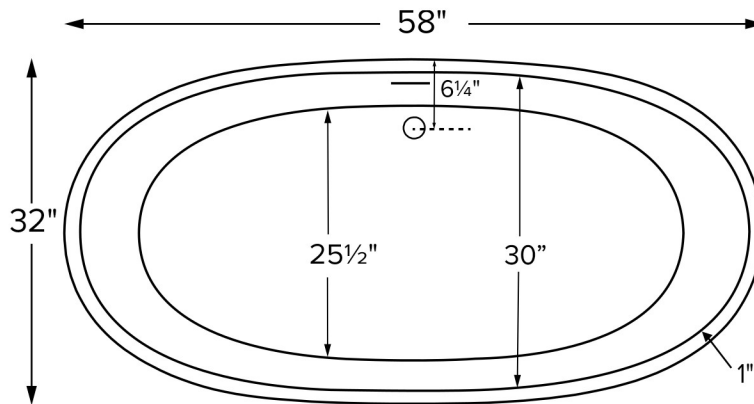
**Air Bath Weight** - 310 lbs / 141 kg

**Maximum Fill** - 75 gal to overflow

*NOTE: Filling this tub to the maximum may require an above average size or dedicated water heater.*



Features an integrated overflow and black powder-coated steel cradle with matching decorative tailpiece for drain connection.



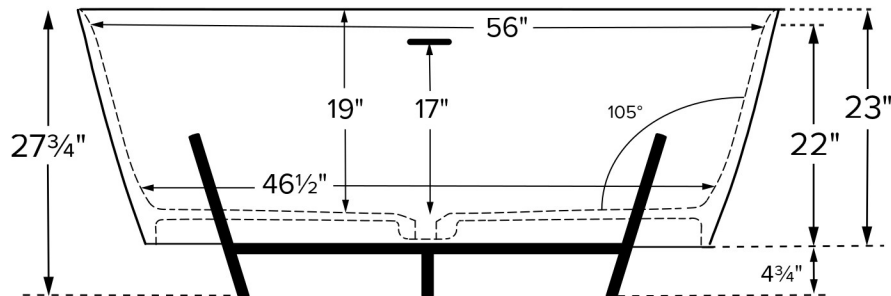
Elena #245 is available with a half-rolled or flat rim.  
Tub height will vary based upon features selected.



Half-Rolled Rim

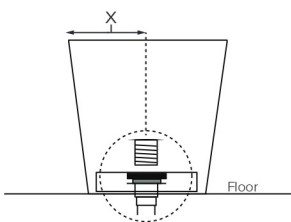


Flat Rim  
(reduces overall height by 1")



Tailpiece for drain connection comes color-matched to cradle.

Drain  
Rough-In  
Measurement



#### ELECTRICAL COMPONENTS & SPECIFICATIONS

Hydrotherapy Package

Cradle tubs available as Soaker only

CSA Certified C/US; ANSI Z124.1

#### IMPORTANT ORDERING & INSTALLATION INFORMATION

- Includes an integrated overflow with toe tap drain in chrome finish. May be specified without an overflow (see local codes before ordering without an overflow).
- Includes decorative tailpiece color-matched to tub cradle.
- Additional cradle colors available based on the universal RAL color chart; see ralcolor.com. Provide RAL color code on order. Extended lead time may apply.
- Air baths require job site preparation for remote installation of the blower and required check valve. Check valve must be installed higher than the rim of the tub.
- Waterproof remote control included with air bath. Keypad shipped loose may be remote mounted on nearby surface/wall.
- Faucet valves cannot be mounted on this tub model.

See the Installation & Operation Manual for more details.  
MTI's Customer Service: Monday-Friday 8am-6pm EST  
**800-783-8827** or [service@mtibaths.com](mailto:service@mtibaths.com)

- Before discarding tub crate, check for accessories that may be packaged inside.
- All product measurements are  $\pm 1/2"$ .
- Specifications and configurations are subject to change without notice.
- Measurements herein supersede all others published prior to publication date below.

CSA # MTCT-245C

©2021 by MTI Baths, Inc. Modification Rights Reserved

1 of 2



Rev. 08 12 2021