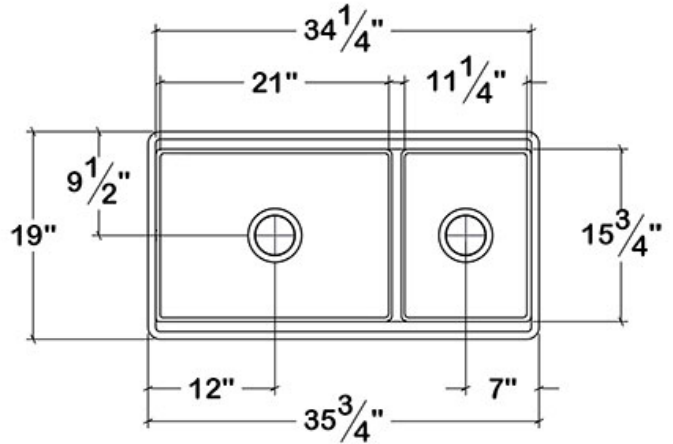


## 103619 | FIRA

UNDERMOUNT WITH APRON FRONT FIRECLAY KITCHEN SINK WITH ACCESSORY LEDGE



### Specifications

Model	103619
Collection	Fira
Bowls dimensions	L 21" × 15 3/4" × 10" R 11 1/4" × 15 3/4" × 10"
Overall dimensions	35 3/4" × 19" × 11 1/2"
Recommended cabinet	39"

### Recommended accessories

Drain	100080
Grid (coming soon)	200942
Grid (coming soon)	200943
Colander	205038
Bin	205039
Tray	205041
Cutting board	210060
Drying Rack	215009

### Features

- Designed in Canada
- Integrated accessory ledge to sit full range of accessories
- Includes a 12-3/4" wide solid walnut cutting board
- Flat apron front design
- Two deep 10" bowls and 3/4" thick walls for optimized work space
- Product dimensional variability  $\pm 3/16"$ , due to manufacturing process
- Made of fireclay and glazed on all sides, white gloss finish
- Two center 3-1/2" drains
- Sloped bottom for maximized drainage
- Waste disposal unit compatible, recommended to confirm waste disposal or drain maximal thickness specifications
- No template provided, recommended to have the sink on hand for final sizing of cabinet and countertop
- ASME A112.19.2/CSA B45.1

### Warranty

Home Refinements offers a 1-YEAR LIMITED WARRANTY against manufacturing defects and a 10-YEAR LIMITED WARRANTY on fading/staining issues on its fireclay sinks. For further details on our product warranty, please refer to our catalog or Web site.