



California Faucets®

SH-25S-XX

(XX = Series Style for CF Faucets Sets) Handshower Holder Swivel and Supply Installation Instructions

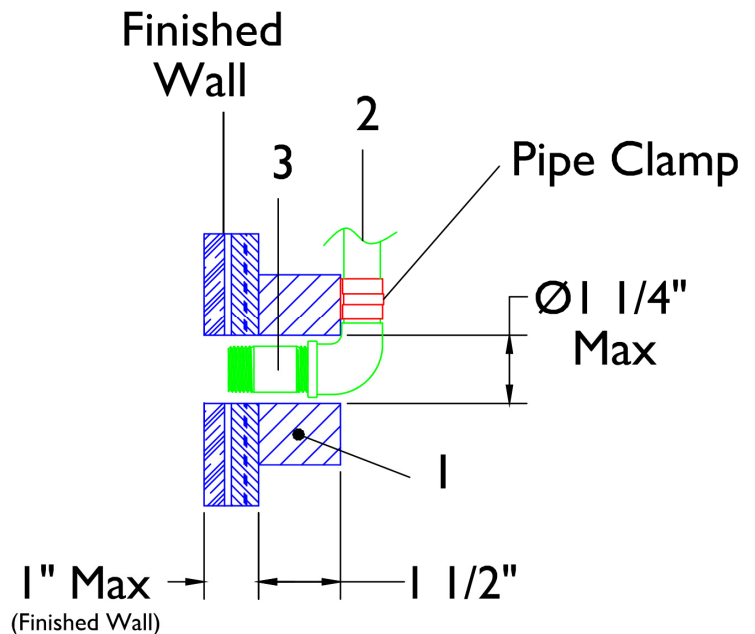
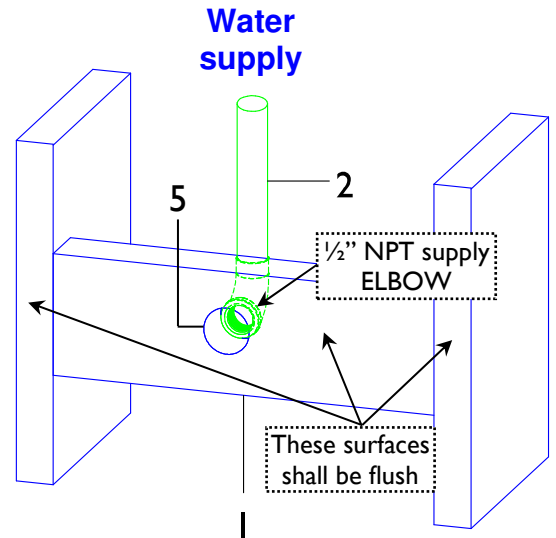
CALIFORNIA FAUCETS RECOMMENDS THAT ALL PLUMBING PRODUCTS BE INSTALLED BY A LICENSED PROFESSIONAL

IMPORTANT: Read all instructions prior to installation and provide copy of instructions to consumer.

I PREPARING WALL FOR HOLDER

Important: It is the **RESPONSIBILITY** of the **INSTALLER** to provide a proper cross **SUPPORT (1)** and securely install supply **PIPE (2)** to provide adequate support for the Handshower Holder.

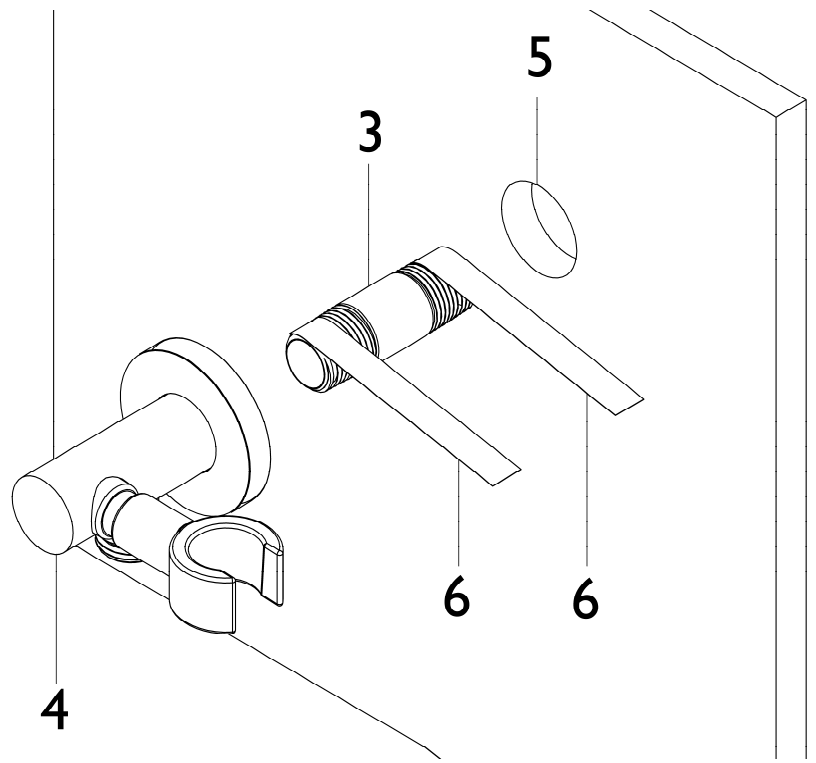
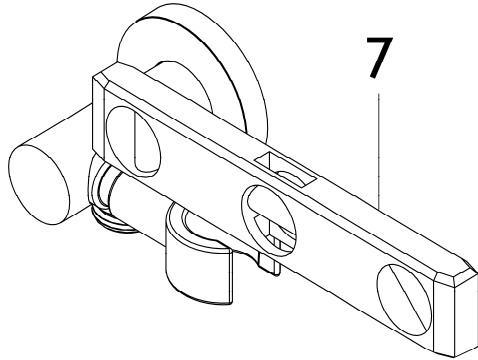
- Securely mount a 2x4 cross **SUPPORT (1)** with front surface flush between studs in wall to provide proper support for Handshower Holder and **PIPE (2)**
- Hole **OPENING (5)** shall be Maximum $\text{Ø}1\text{-}1/4\text{'}$
- **Water supply PIPE (2)** shall be installed securely to 2x4 cross **SUPPORT (1)** using appropriate **Pipe Clamp**



2 INSTALLING HOLDER

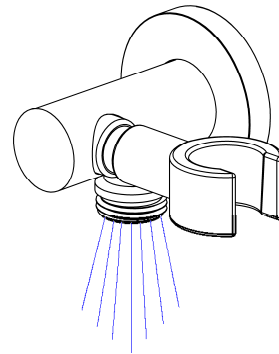
Note: Following is to be done when finished wall is completed.

- Apply 3 wraps of Teflon TAPE (6) on appropriated length ½" NPT NIPPLE (3) threads and thread into HOLDER (4)
- Apply 3 wraps of Teflon TAPE (6) to other end of ½" NIPPLE (3) and insert through finished wall OPENING (5)
- Using LEVEL (7) on HOLDER (4), tighten and rotate to desired angle or until horizontal with ground.



3 FLUSHING SYSTEM

- Before attaching any Handshower, turn on shower and flush holder for 2 minutes; check for any leaks at all fittings



4 HOLDER OPERATION

Note: If hook does not fully retract, rotate hook a small amount to allow hook to fully seat

- To adjust hook angle, pull hook away from the body
- Rotate hook forward or backward to desired position
- Release hook to lock into position

